

HYPER VS2

Electric

HoBao

HoBao Racing Inc.
No. 34, Lane 112, Szu Yuan Road, Hsin Chuang District,
New Taipei City, Taiwan 24250
Phone: +886-2-2996-2229
Email: hobao@hobao.com.tw

HoBao Racing USA
7607 Grissom Road, Suite
#107, San Antonio, TX 78251. US
Tel: +1-888-687-6780
Email: info@hobao-usa.com

HoBao Racing Direct eShop: <http://eshop.hobao-racing.com>



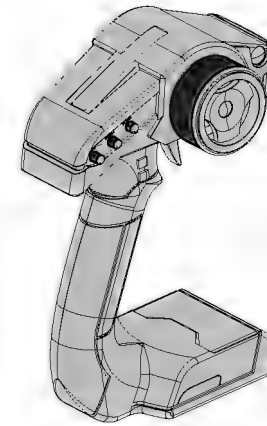
**RACE
BUGGY**

INSTRUCTION MANUAL

HYPER VS2 Electric

Required

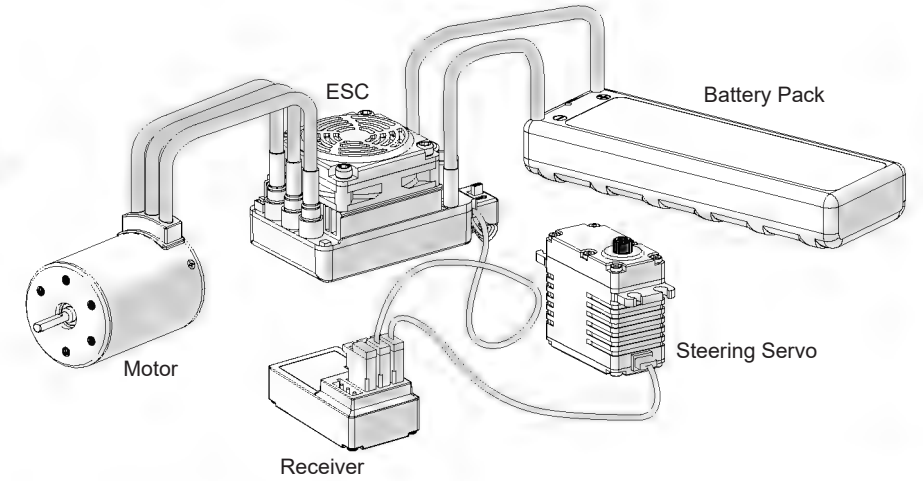
Radio Control Equipment Set



Transmitter



8 AA Size Batterise For Transmitter



Motor

ESC

Receiver

Battery Pack

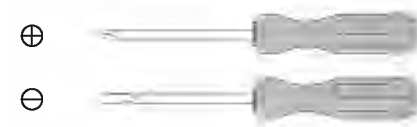
Steering Servo

Tools Recommended

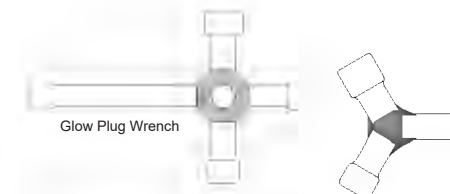
Hex Wrench



Screwdriver

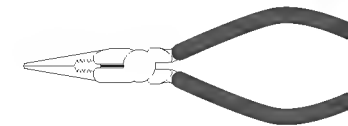


Wrench

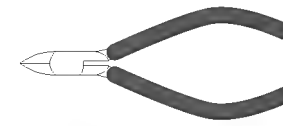


Glow Plug Wrench

Long Nose Pliers



Side Cutter



Curved Scissor



Modeling Knife



Tweezers



Reamer



Instant Cement



Rubber Cement



Thread Lock

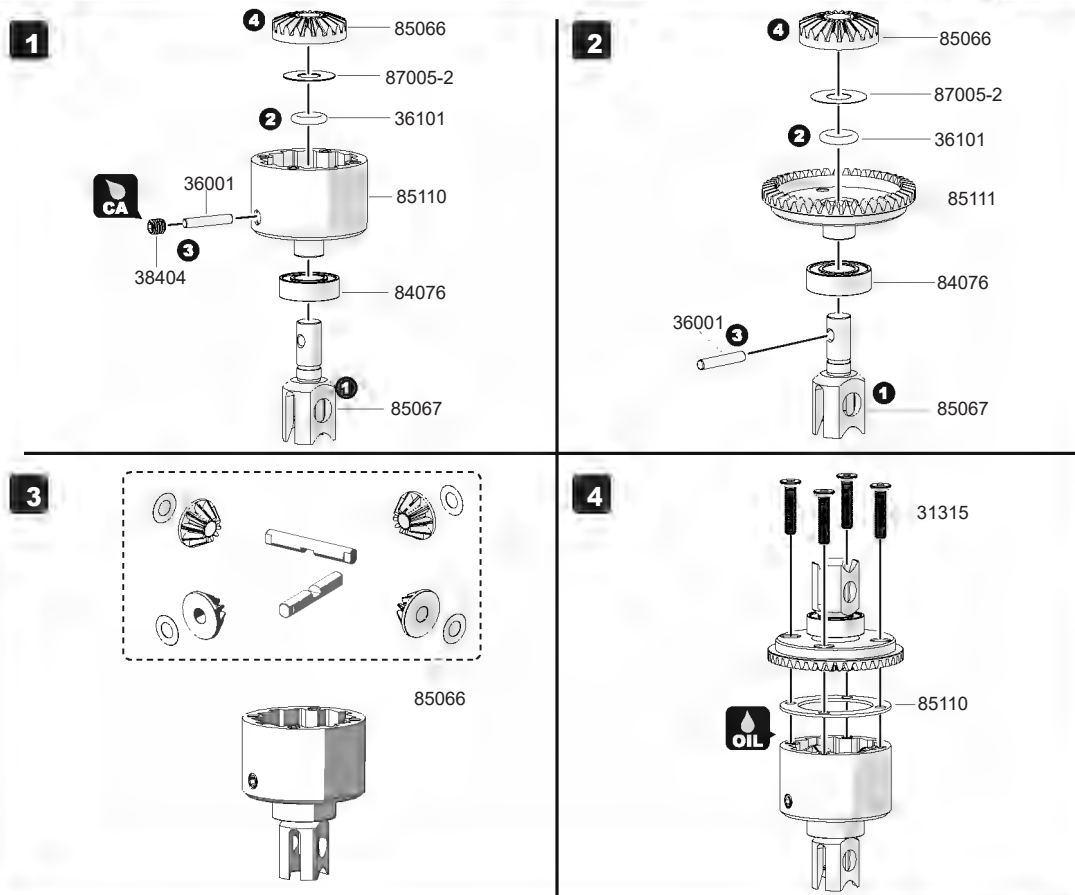


Grease

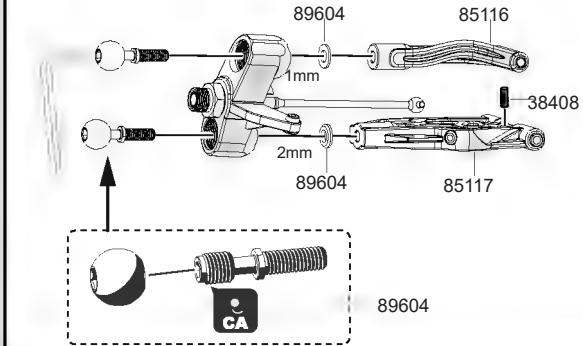


Silicone Oil

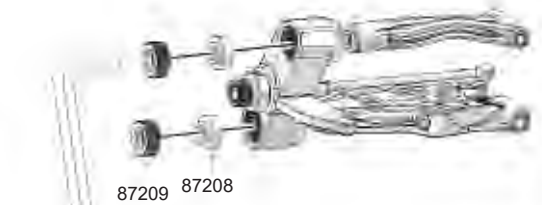
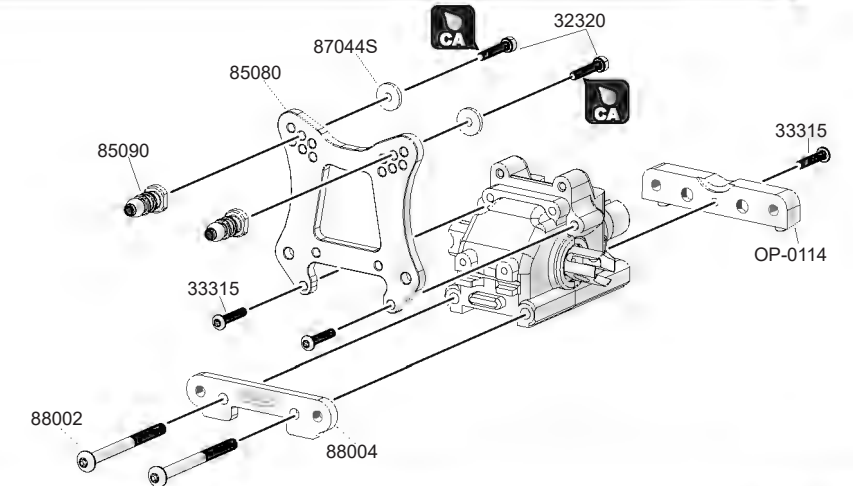
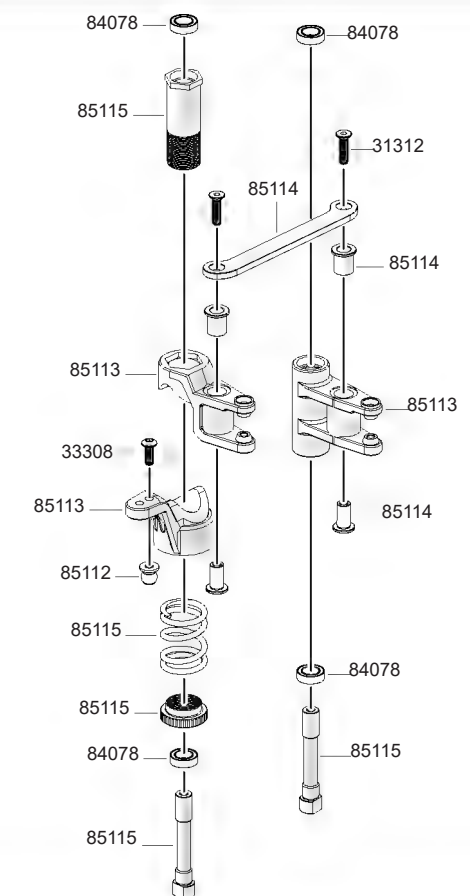
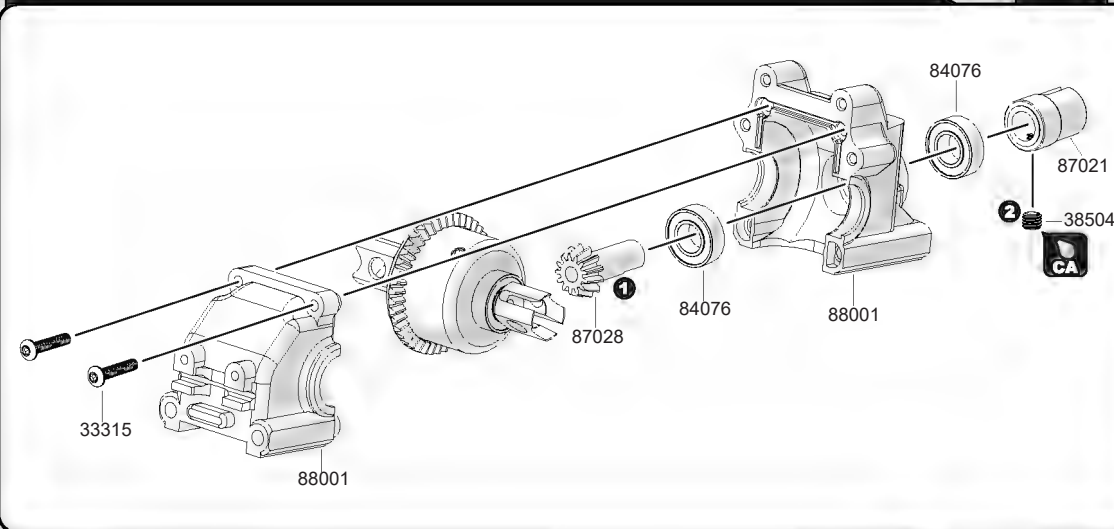
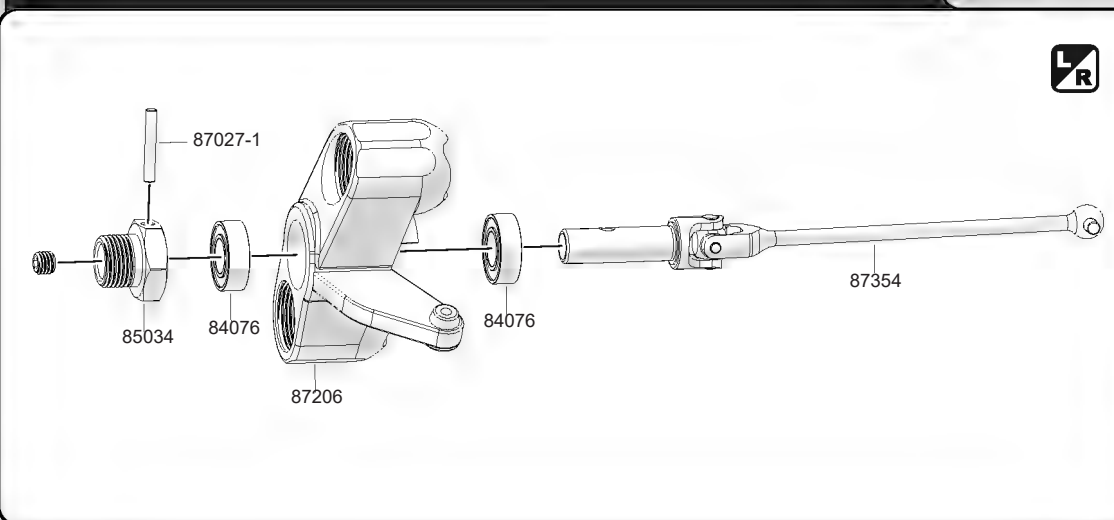


185066
4.1x8x0.1mm x8
Washer87005-2
6.2x13.9x0.15mm x4
Washer36101
5.8x1.9mm x4
O-ring38404
M4x4 x1
Set Screw31315
M3x15 x8
F/H Screw36001
2.5x13.8mm x4
Shaft84076
8x16x5mm x4
Ball Bearing**2**38504
M5x4 x2
Set Screw33315
M3x15 x4
B/H Screw84076
8x16x5mm x4
Ball Bearing**3**87027-1
2.5x16.8mm x4
Shaft84076
8x16x5mm x4
Ball Bearing**Front / Rear Differential Assembly****x2****4**38408
M4x8 x2
Set Screw**5**87044S x2
Alum Collar33315
M3x15 x3
B/H Screw32320
M3x20 x2
Cap Screw**6**88002
M4x47 x2
B/H Screw**Front Ball Steering And Suspension Arm Assembly****STEP 1**

Hex Wrench 4mm

**STEP 2**

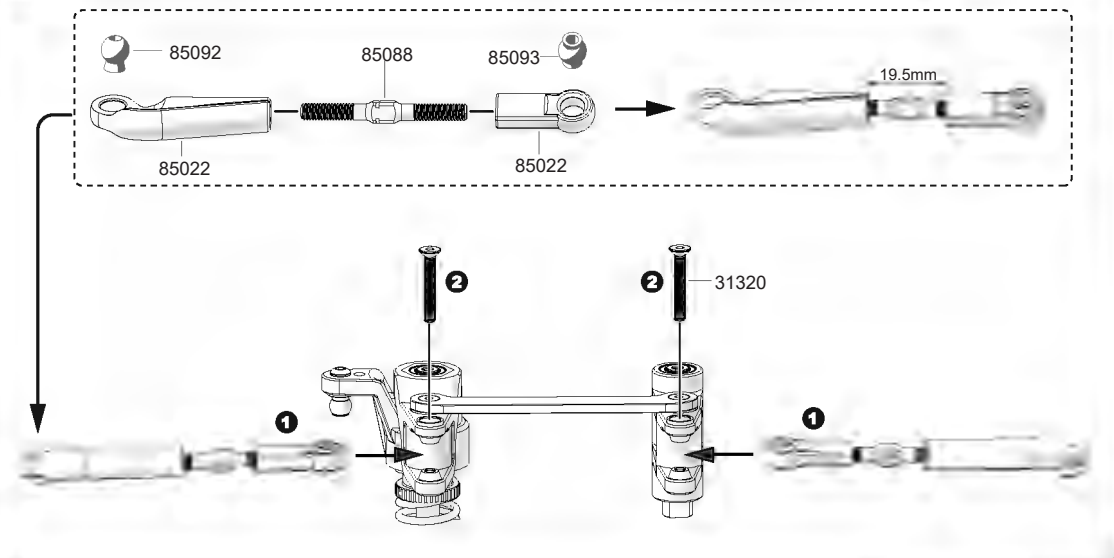
Hex Wrench 8mm

**CNC Alum Front Shock Tower and Lower Arm Holder Assembly****Servo Saver Assembly 1****Front / Rear Gear Box Assembly****x2****Front Pivot Ball Steering And CVA Shaft Assembly**

7

Servo Saver Assembly 2

31320
M3x20 x2
F/H Screw



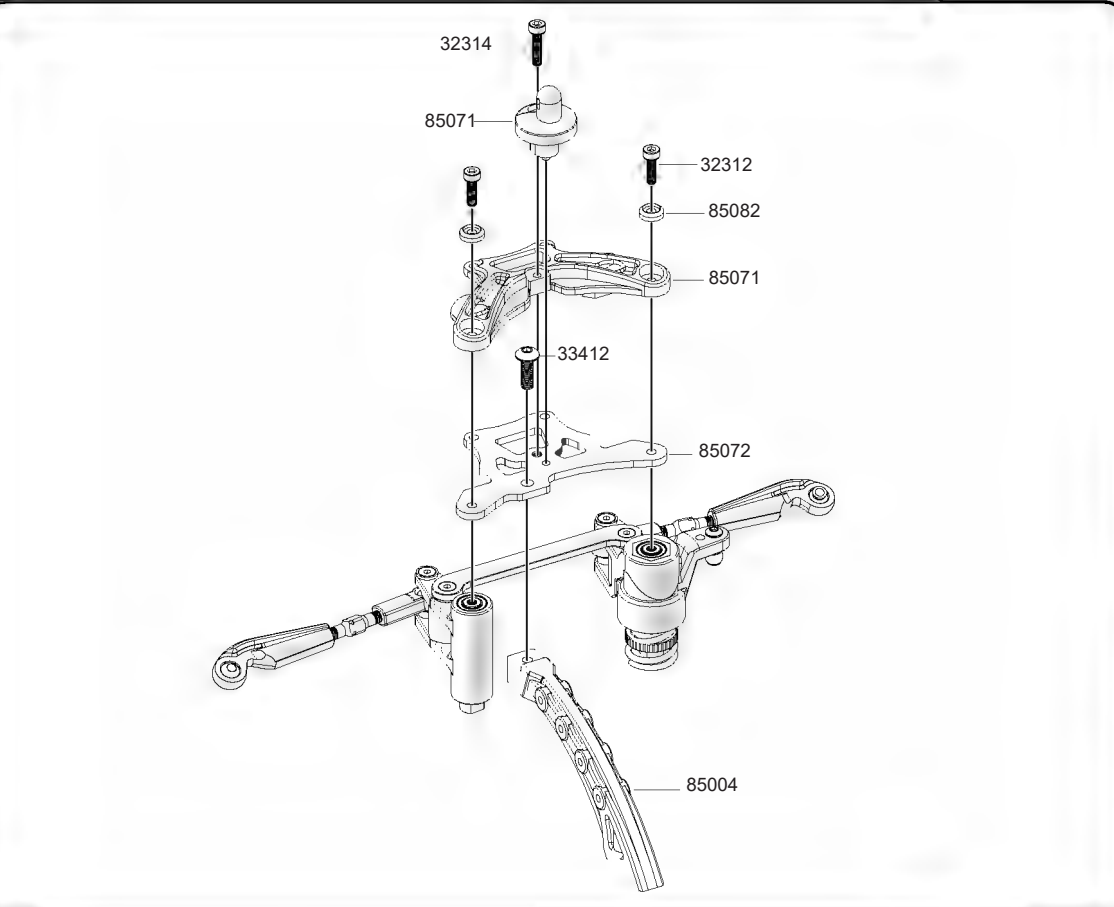
8

Servo Saver Assembly 3

32314
M3x14 x1
Cap Screw

32312
M3x12 x2
Cap Screw

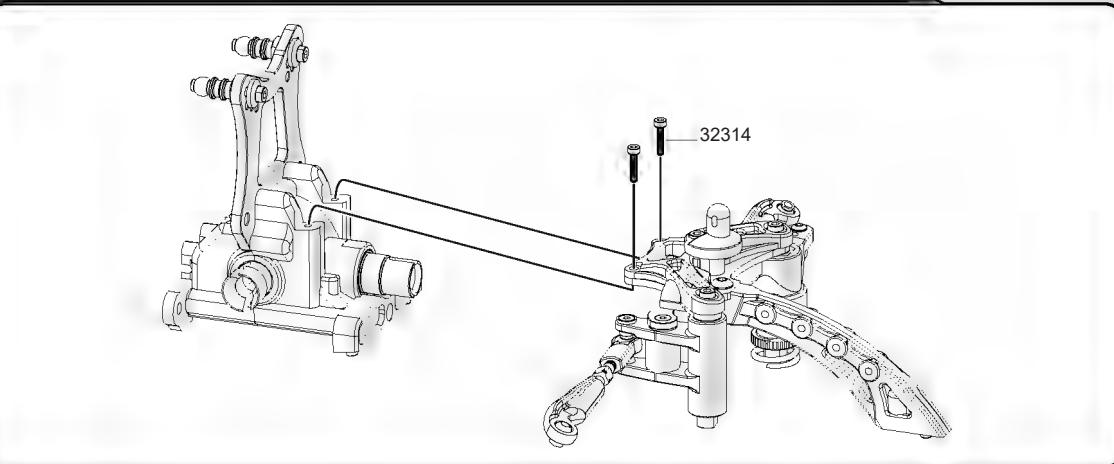
33412
M4x12 x1
B/H Screw



9

Servo Saver Assembly 4

32314
M3x14 x2
Cap Screw



10

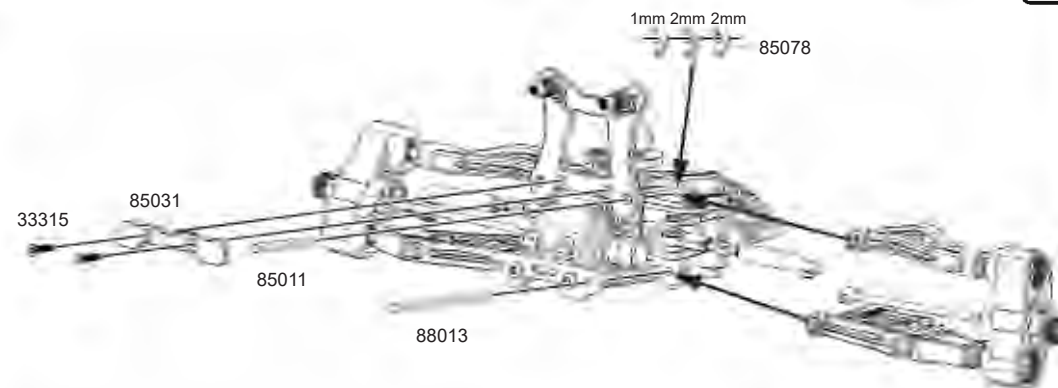
Front Suspension Arm Assembly

33315
M3x15 x2
B/H Screw

31320
M3x20 x2
F/H Screw

39008
M3 Nut x2

STEP 1



STEP 2

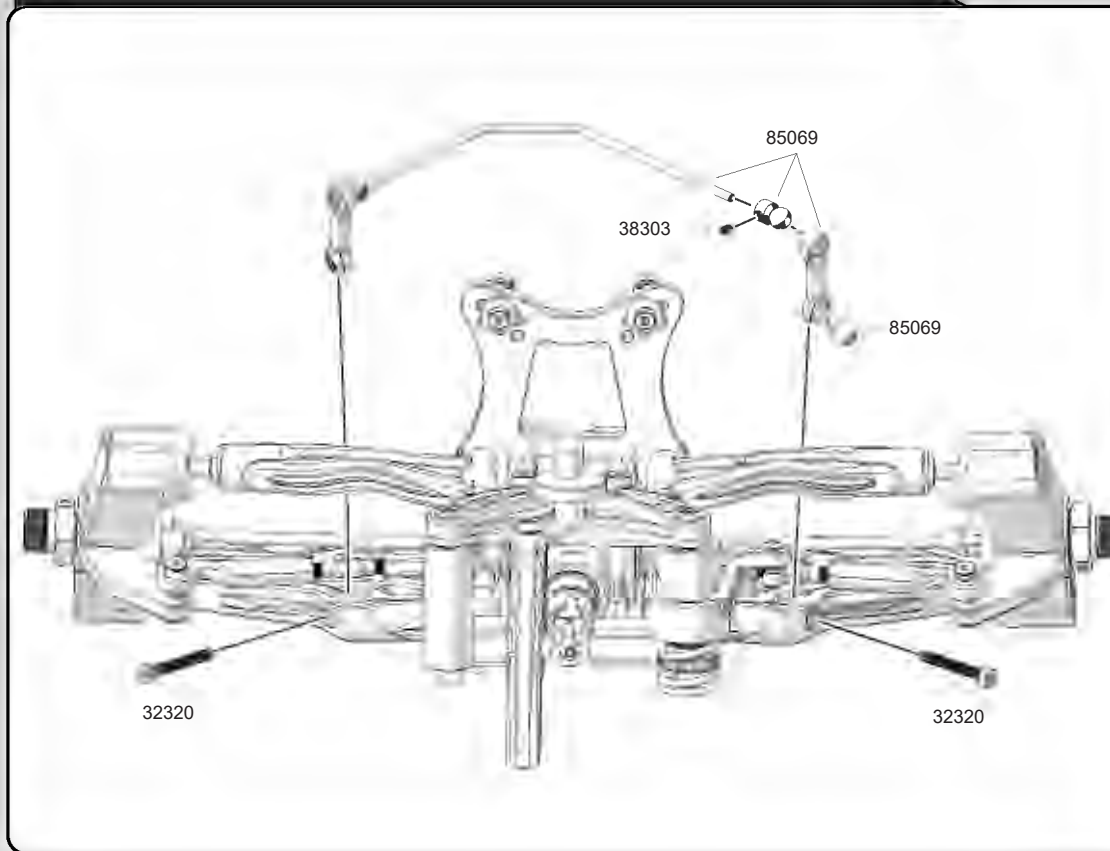


11

Front Sway Bar Assembly

32320
M3x20 x2
Cap Screw

38303
M3x3 x2
Set Screw

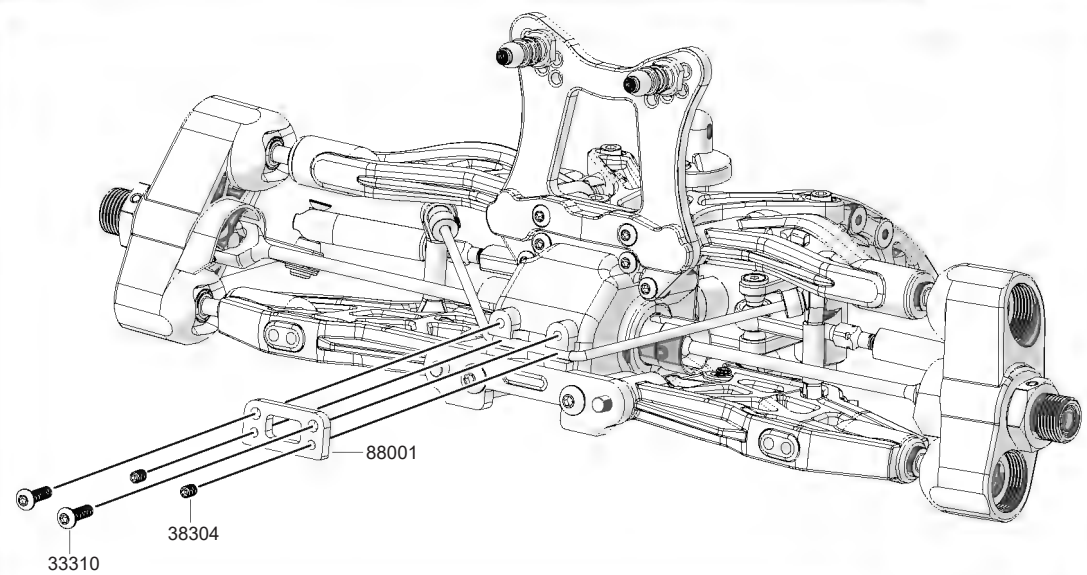


12

Front Sway Bar Assembly

38304
M3x4 x2
Set Screw

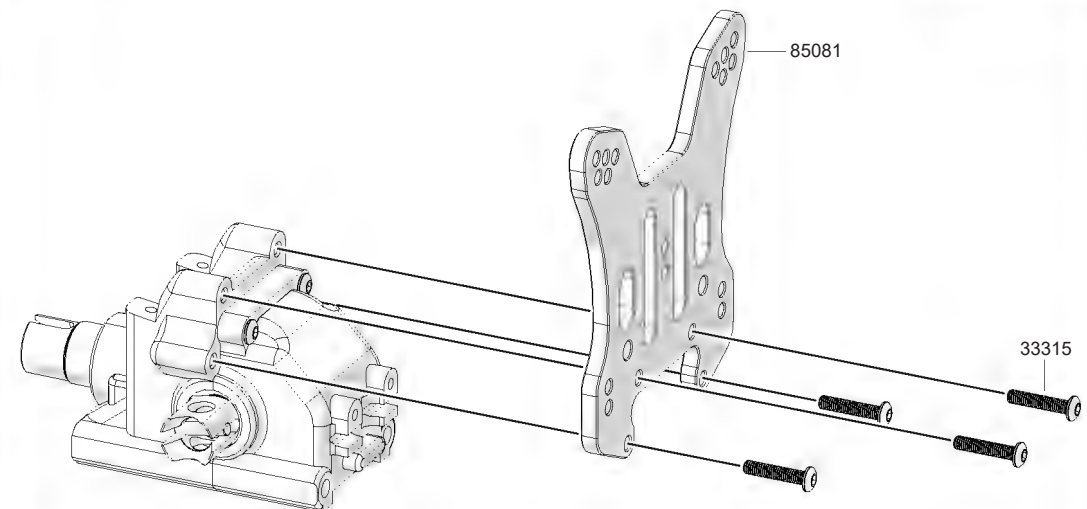
33310
M3x10 x2
B/H Screw



13

CNC Alum Rear Shock Tower And Gear Box Assembly

33315
M3x15 x4
B/H Screw



14

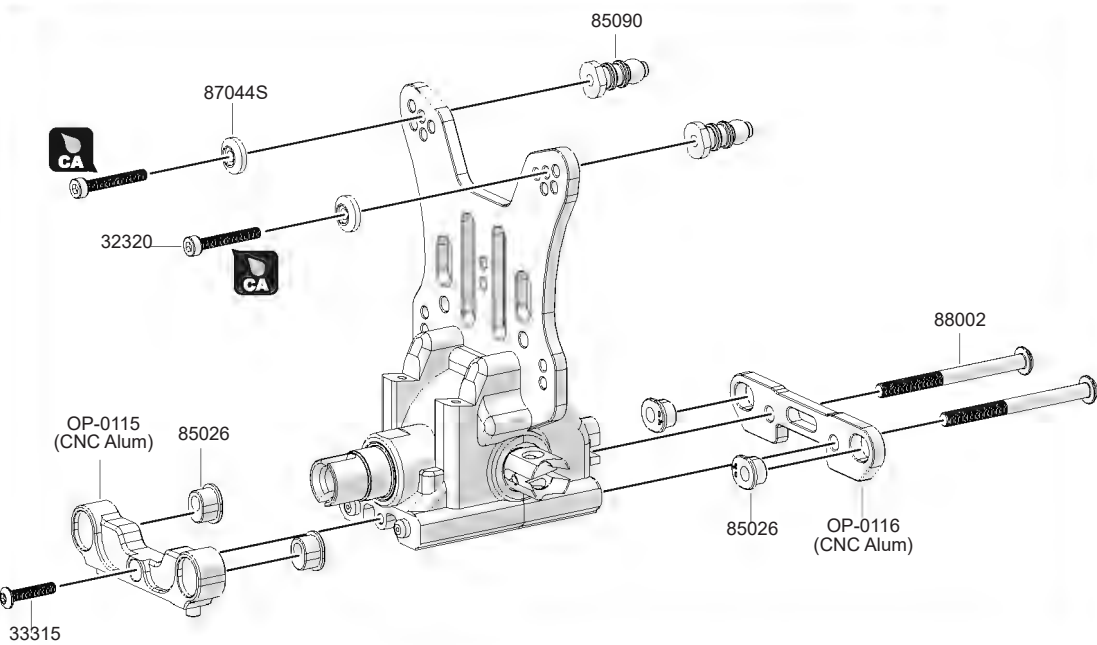
CNC Shock Tower And Lower Arm Holder Assembly

32320
M3x20 x2
Cap Screw

87044S
Alum Collar x2

33315
M3x15 x4
B/H Screw

88002
M4x47 x2
B/H Screw



15

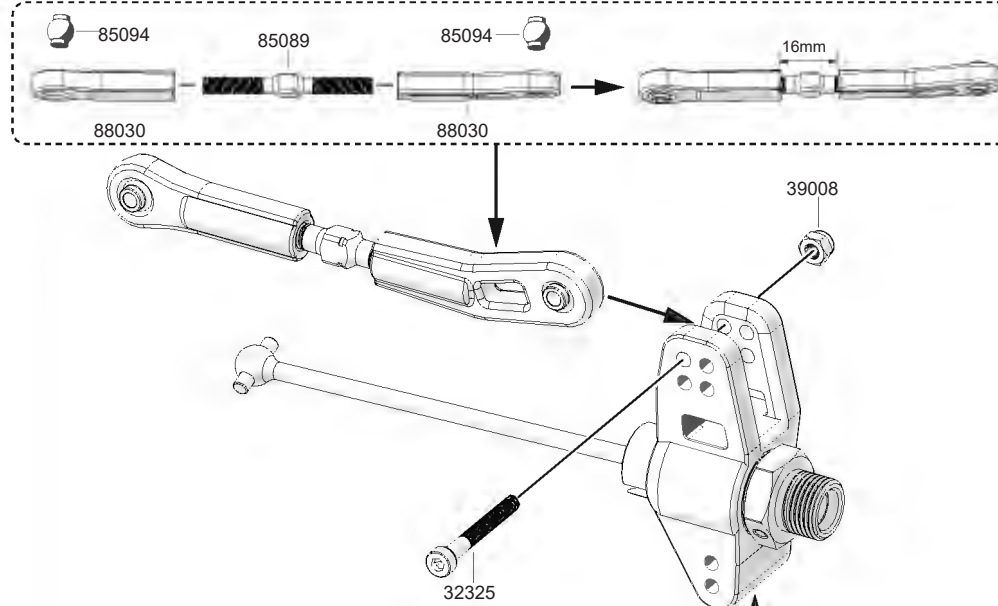
Rear Suspension Arm And Axle Assembly 1

39008
M3 Nut x2

38504
M5x4 x2
Set Screw

84076
8x16x5mm x4
Ball Bearing

32325
M3x25 x2
Cap Screw



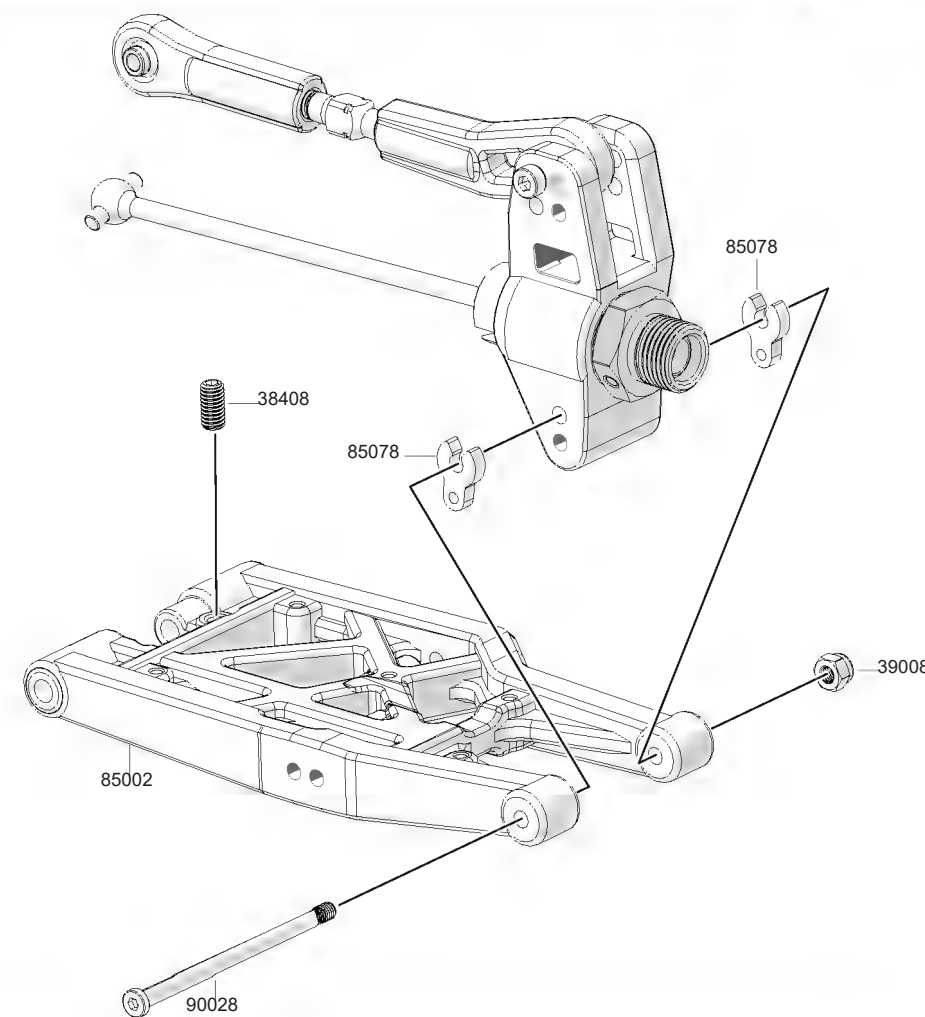
16

Rear Suspension Arm And Axle Assembly 2

38408
M4x8 x2
Set Screw

39008
M3 Nut x2

90028
M3x50 x2
Cap Screw



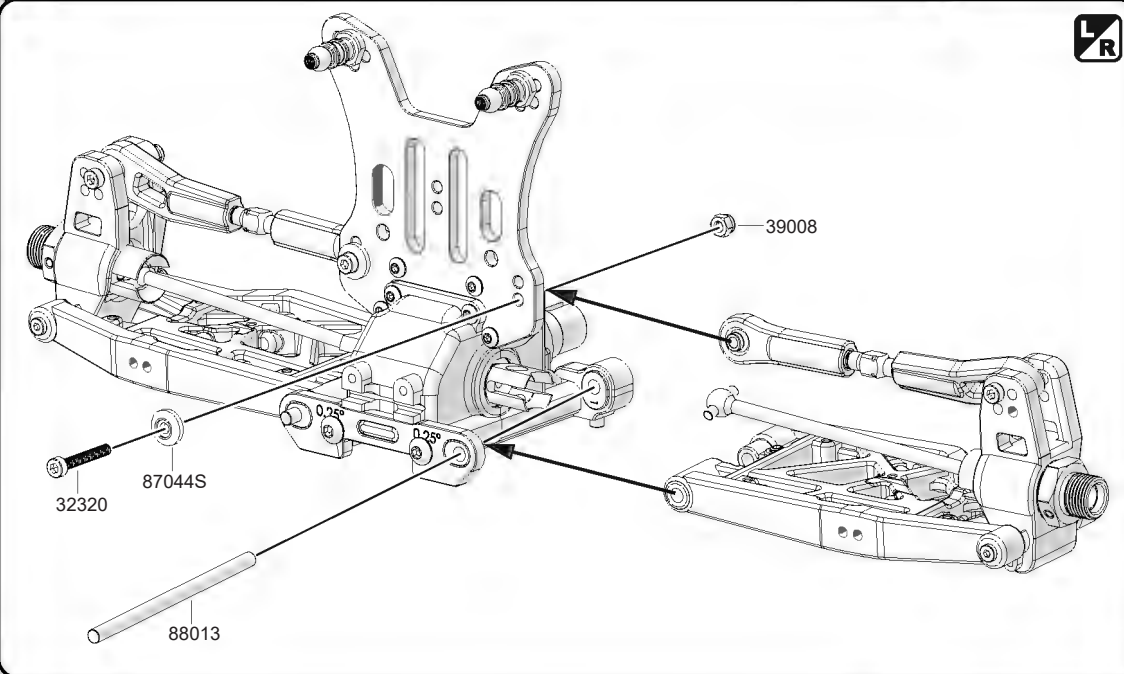
17

Rear Suspension Arm Assembly

32320
M3x20 x2
Cap Screw

39008
M3 Nut x2

87044S
Alum Collar x2

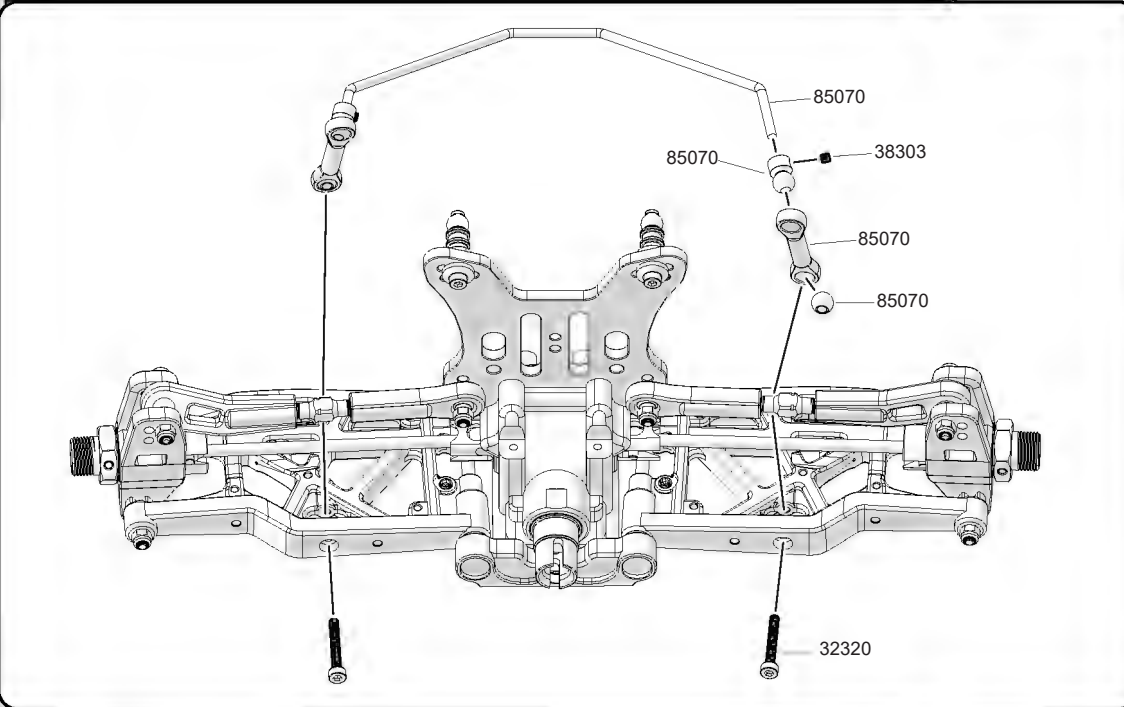


18

Rear Sway Bar Assembly 1

32320
M3x20 x2
Cap Screw

38303
M3x3 x2
Set Screw

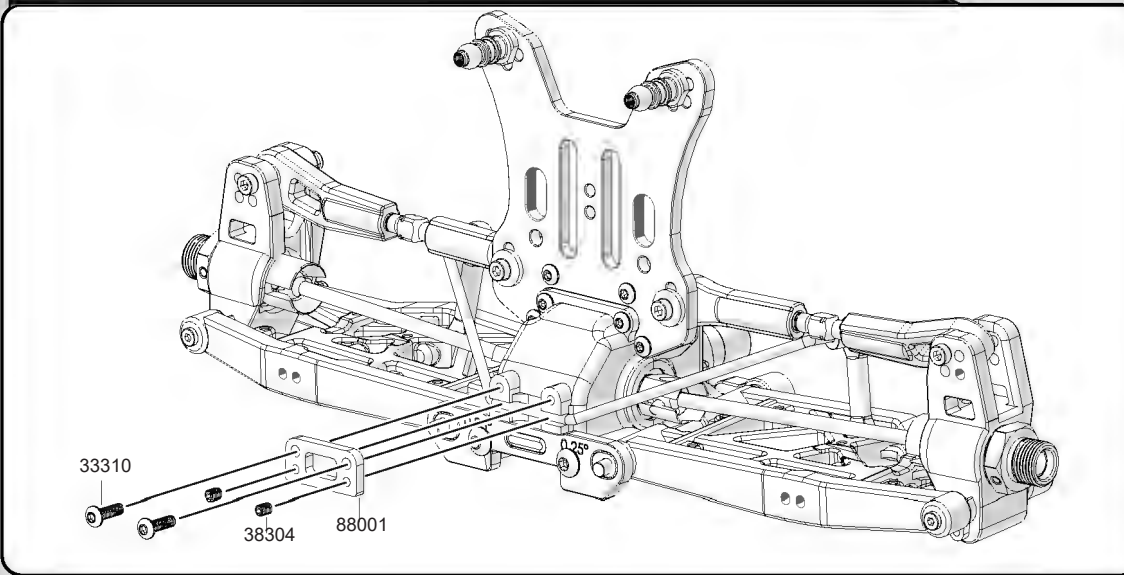


19

Rear Sway Bar Assembly 2

33310
M3x10 x2
B/H Screw

38304
M3x4 x2
Set Screw



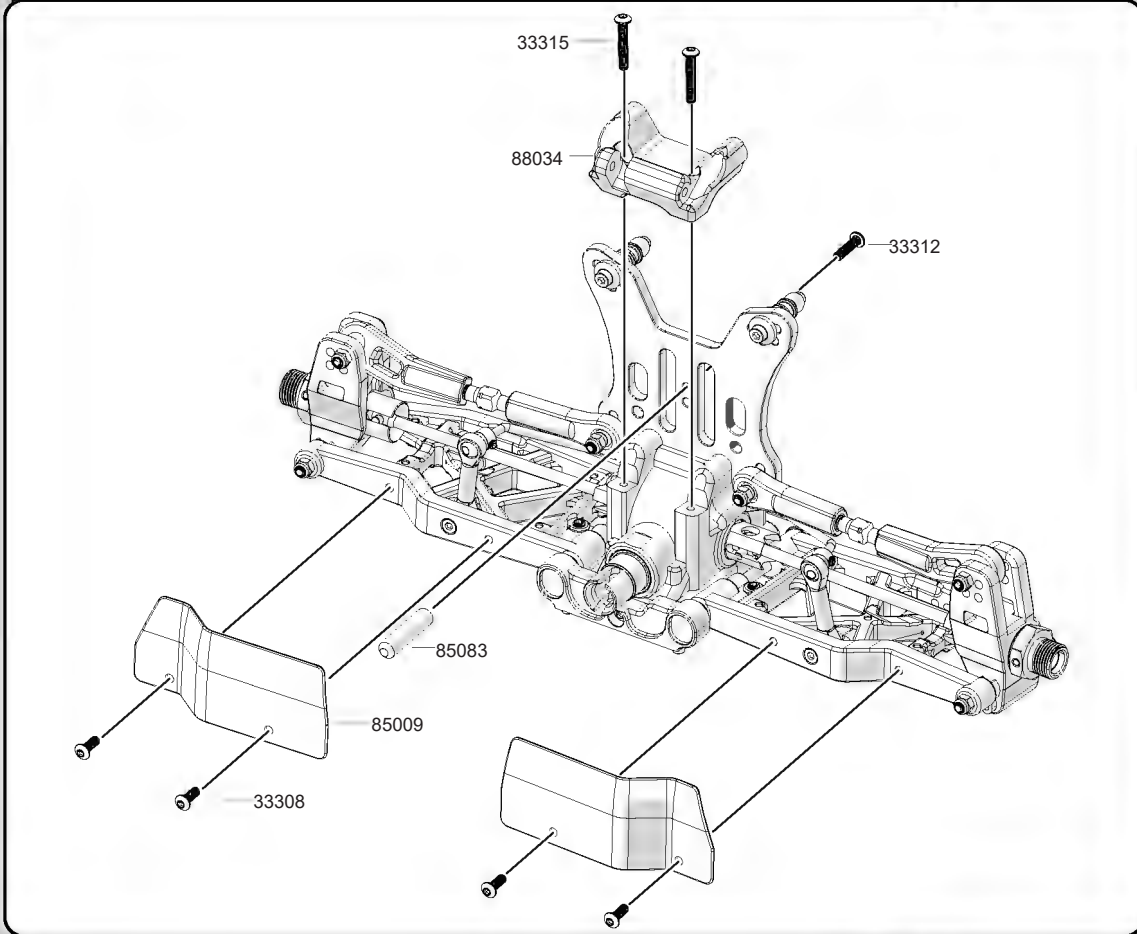
20

Rear Body Mount And Mud Guard Assembly

33308
M3x8 x4
B/H Screw

33315
M3x15 x2
B/H Screw

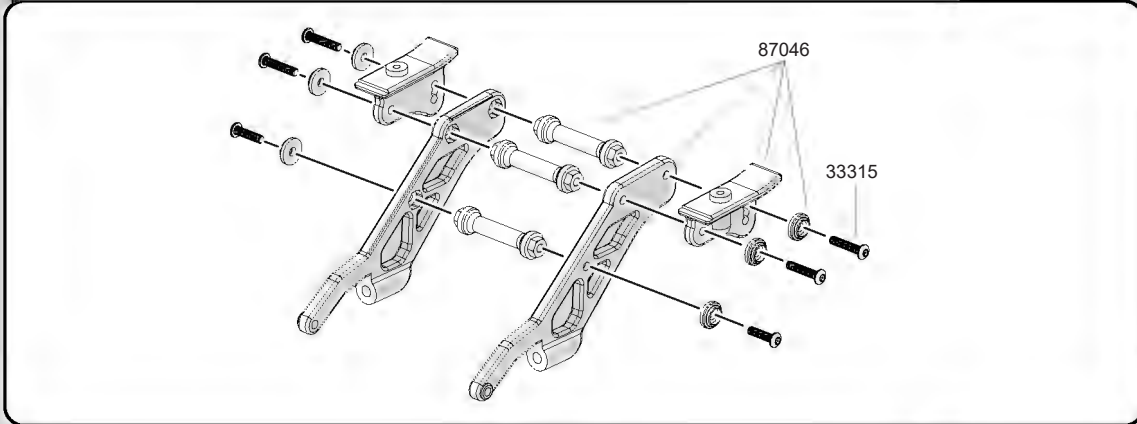
33312
M3x12 x1
B/H Screw



21

Wing Mount Assembly 1

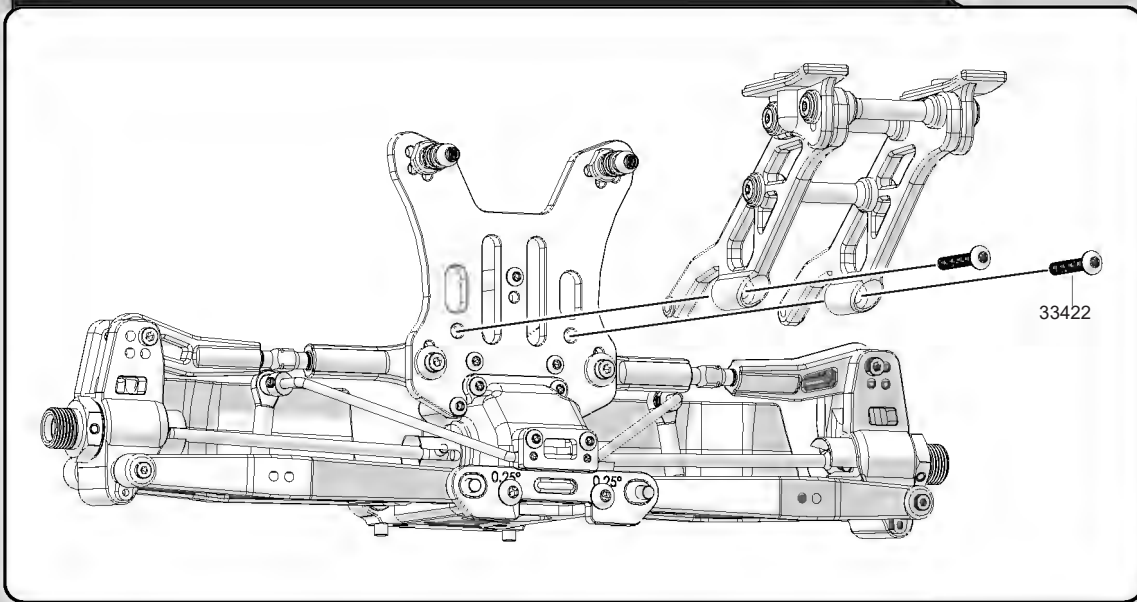
33315
M3x15 x6
B/H Screw



22

Wing Mount Assembly 2

33422
M4x22 x2
B/H Screw



23

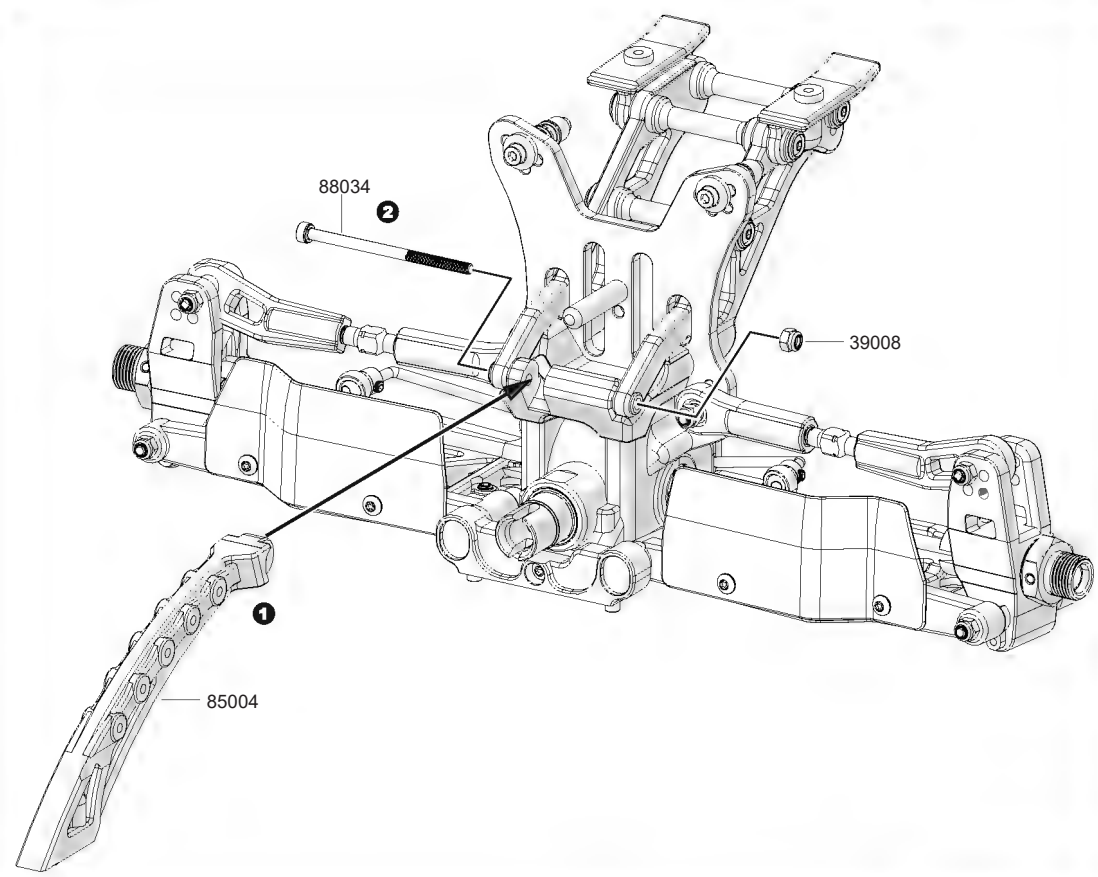


39008
M3 Nut x1



88034
M3x50 x1
Cap Screw

Rear Chassis Brace Assembly



24



85066
4.1x8x0.1mm x8
Washer



87005-1
6.2x13.9x0.3mm x2
Washer



36101
5.8x1.9mm x2
O-ring



38404
M4x4 x1
Set Screw



31315
M3x15 x4
B/H Screw

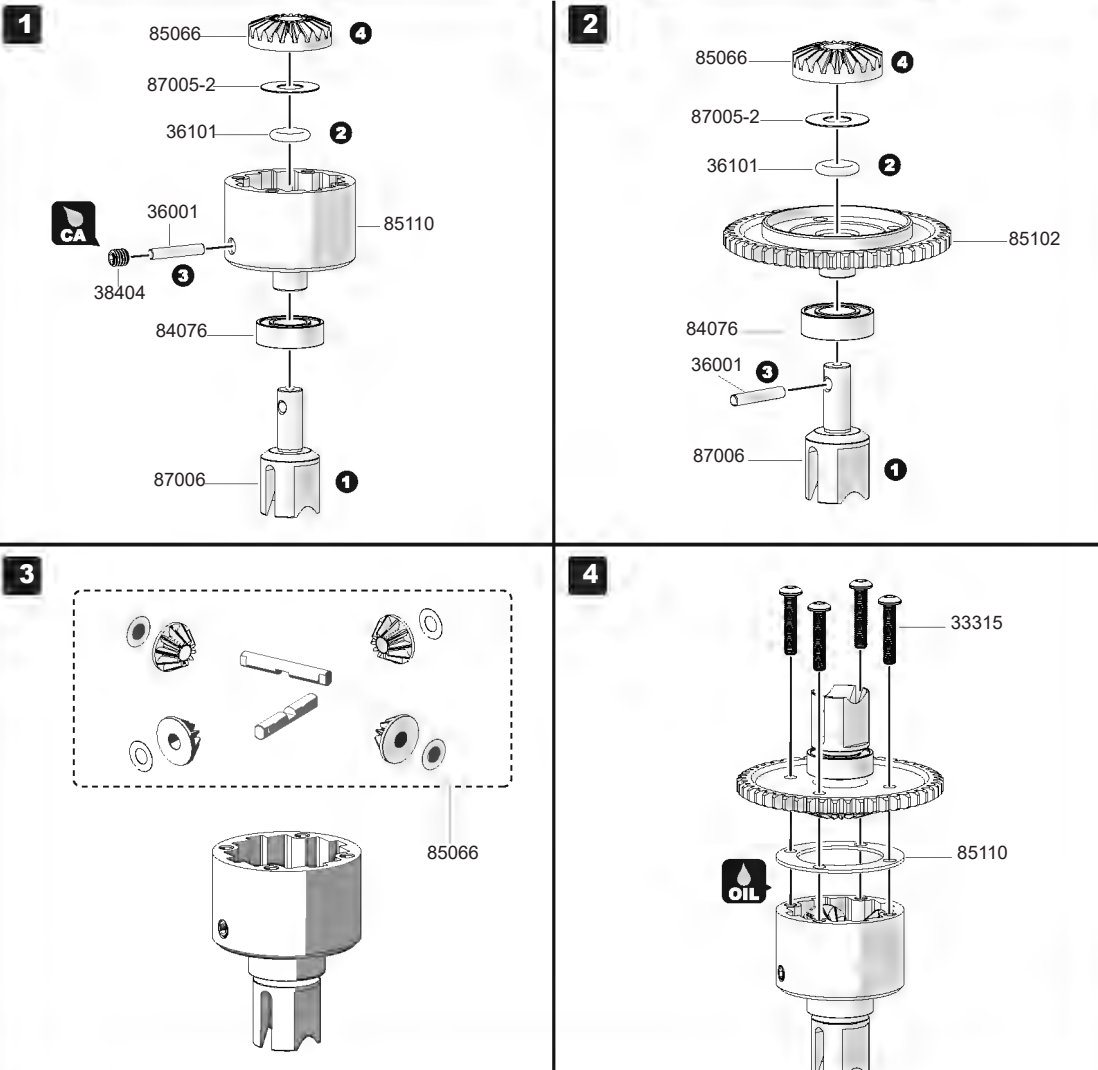


36001
2.5x13.8mm x2
Shaft



84076
8x16x5mm x2
Ball Bearing

Center Differential Assembly 1

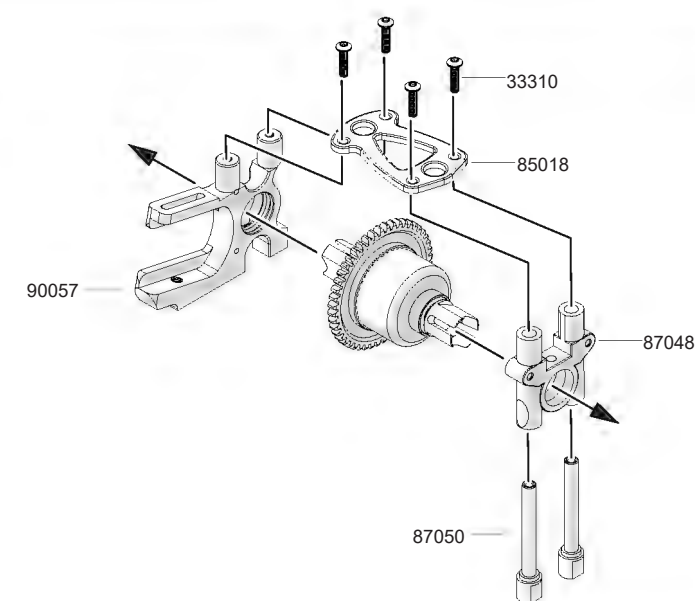


25



33310
M3x10 x4
B/H Screw

Center Differential Assembly 2

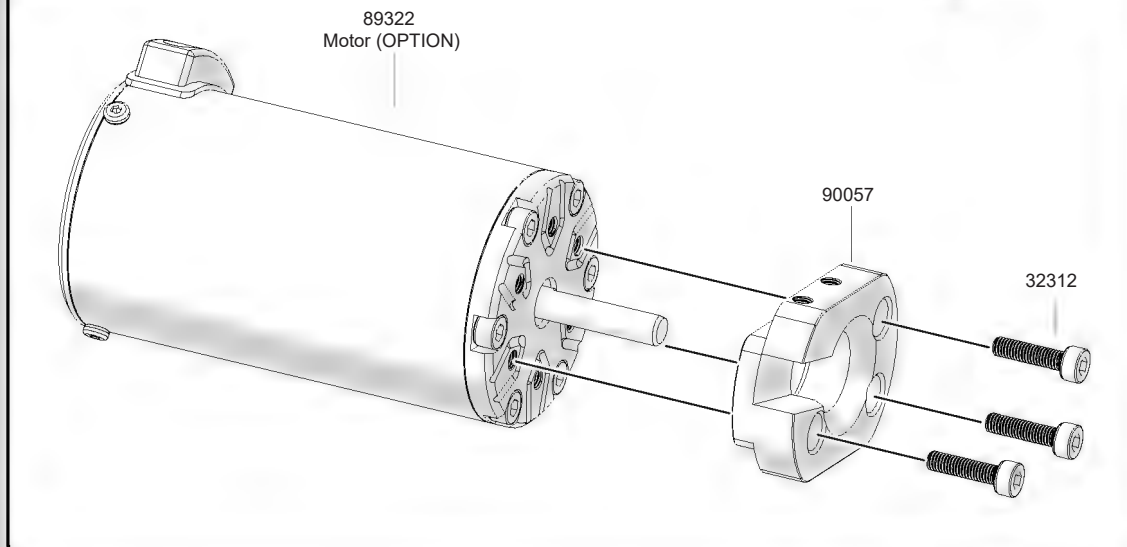


26



32312
M3x12 x3
Cap Screw

Motor Mount Assembly 1

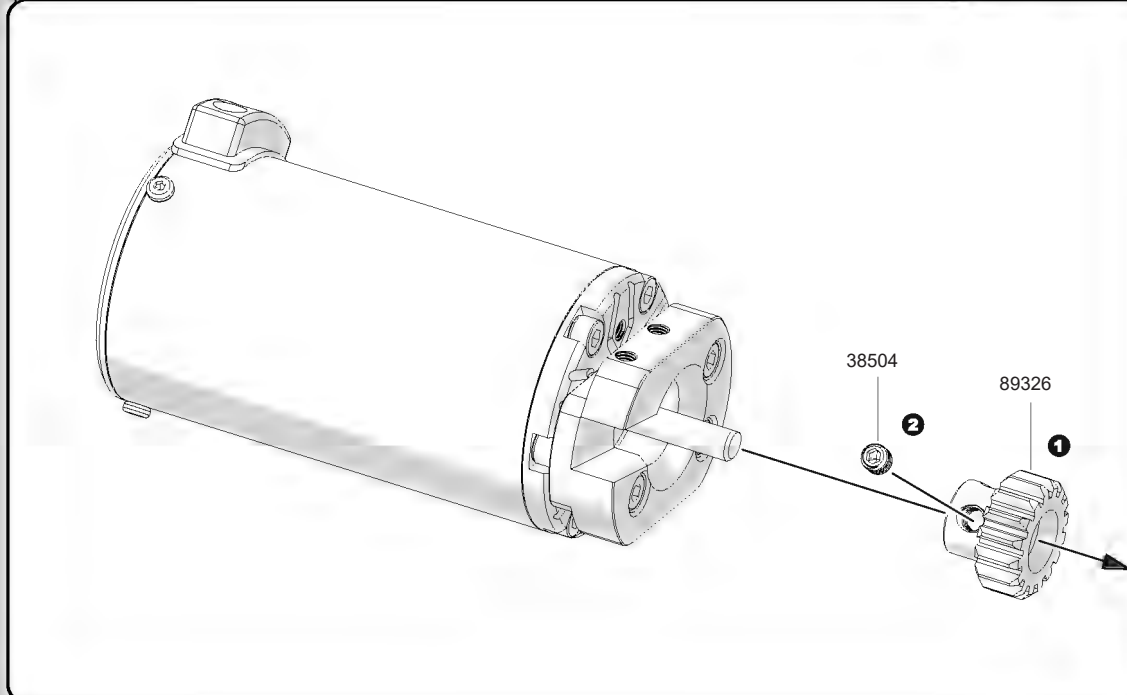


27



38504
M5x4 x1
Set Screw

Motor Mount Assembly 2



28

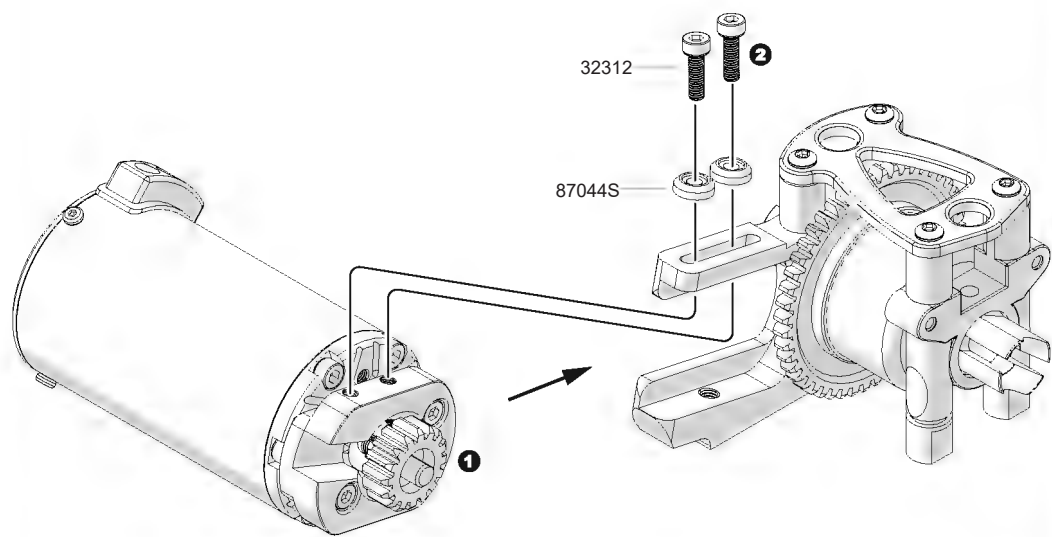
Center Differential And Motor Mount Assembly



32312
M3x12 x2
Cap Screw



87044S x2
Alum Collar



29

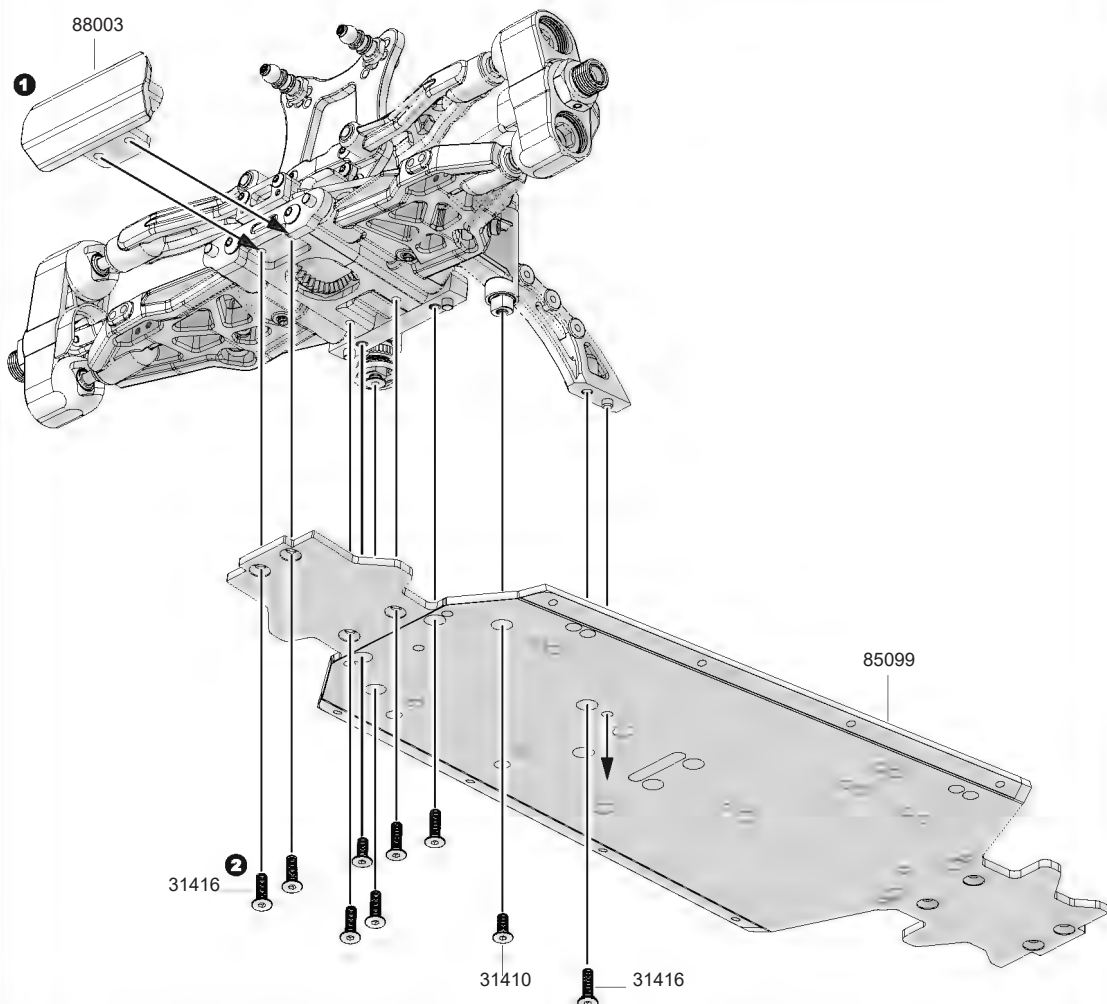
Front Clip Assembly



31410
M4x10 x4
F/H Screw



31416
M4x16 x5
F/H Screw



30

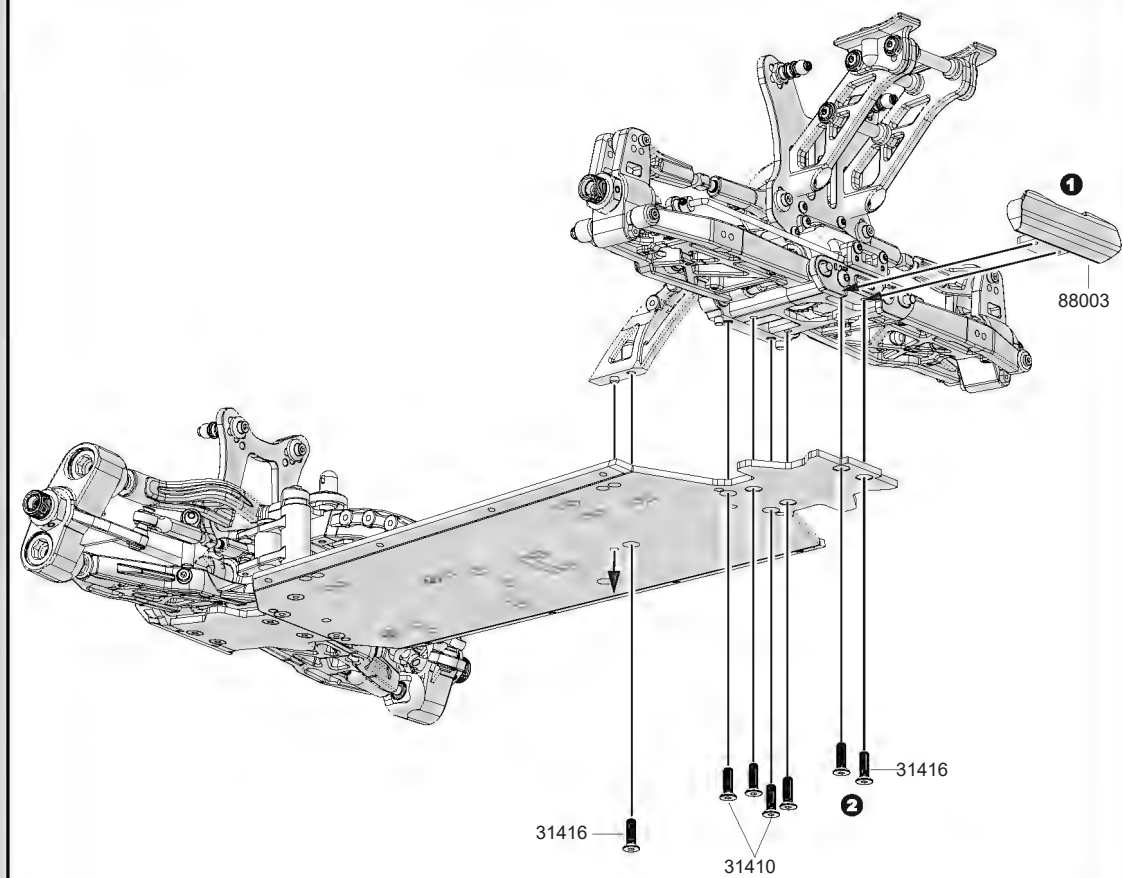
Rear Clip Assembly



31410
M4x10 x2
F/H Screw



31416
M4x16 x5
F/H Screw

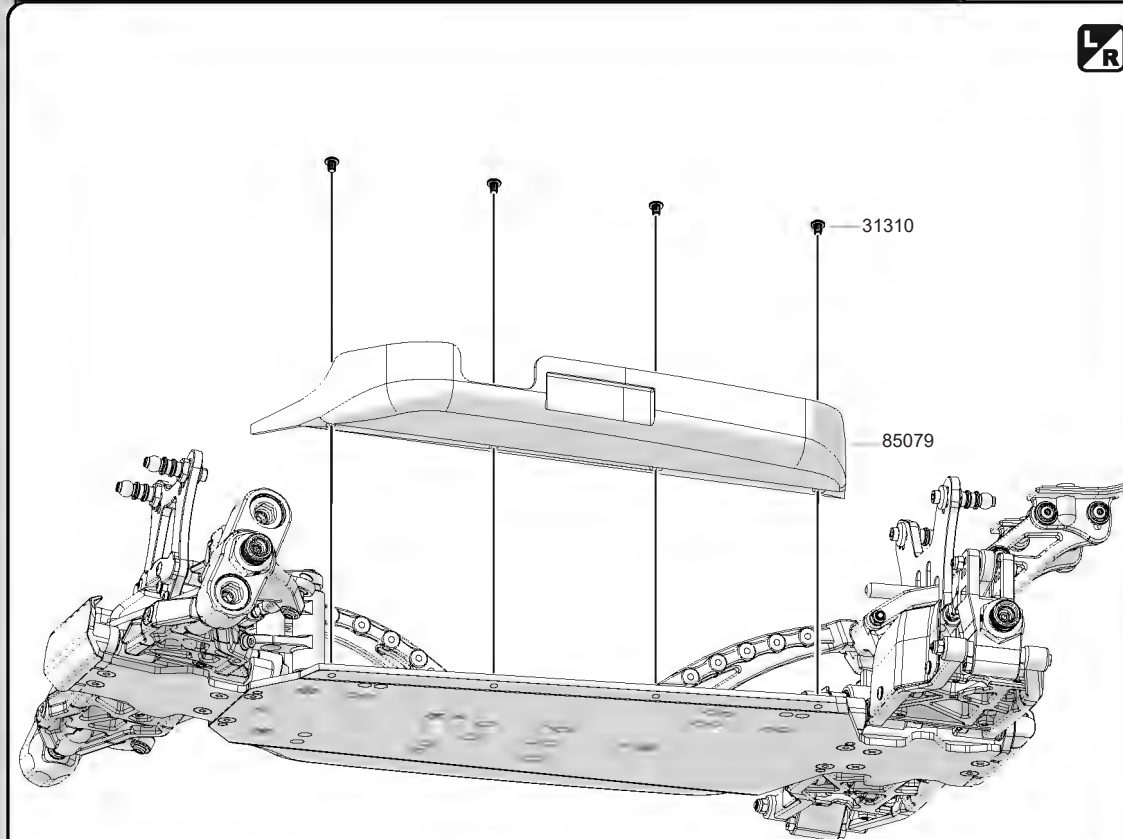


31

Side Guard Assembly



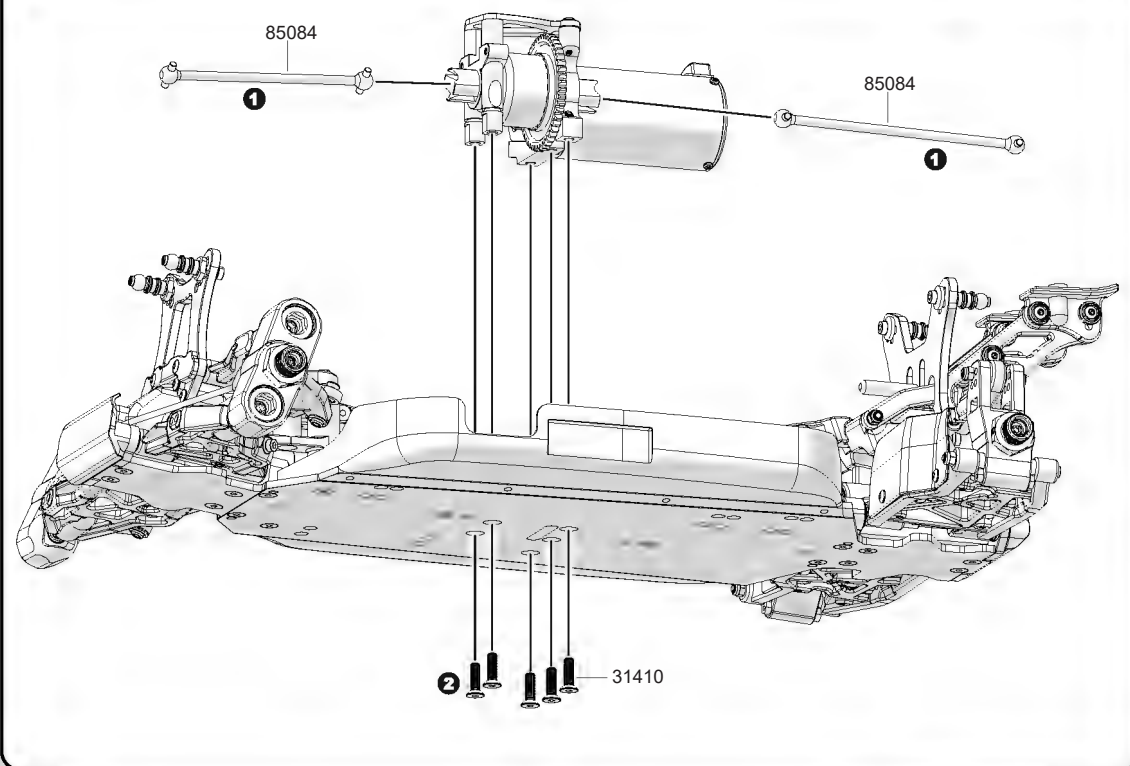
33305
M3x5 x8
B/H Screw



32

Center Drive Shaft And Motor Unit Assembly

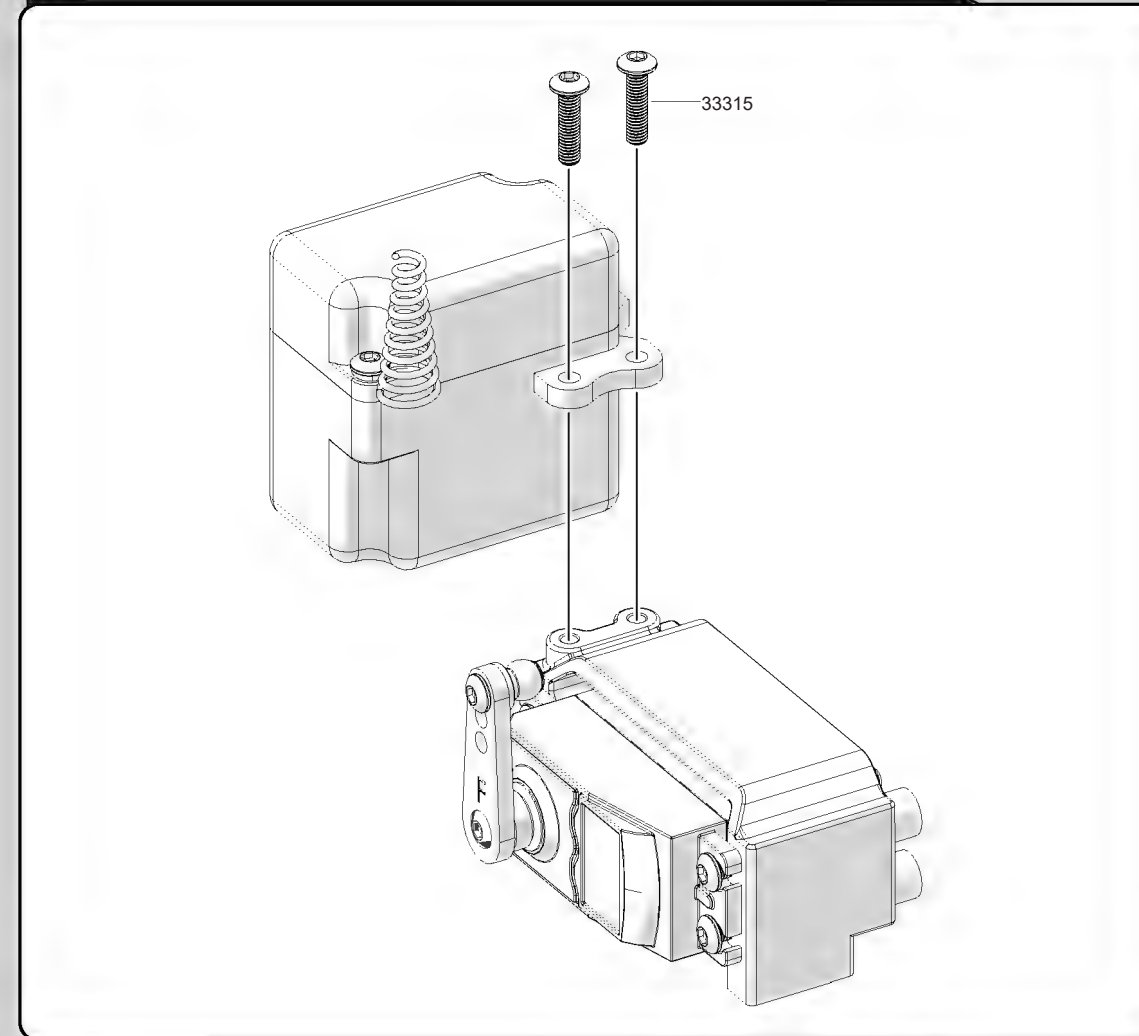
31410
M4x10 x5
F/H Screw



35

Receive Box & Steering Servo Assembly

33315
M3x15 x2
B/H Screw

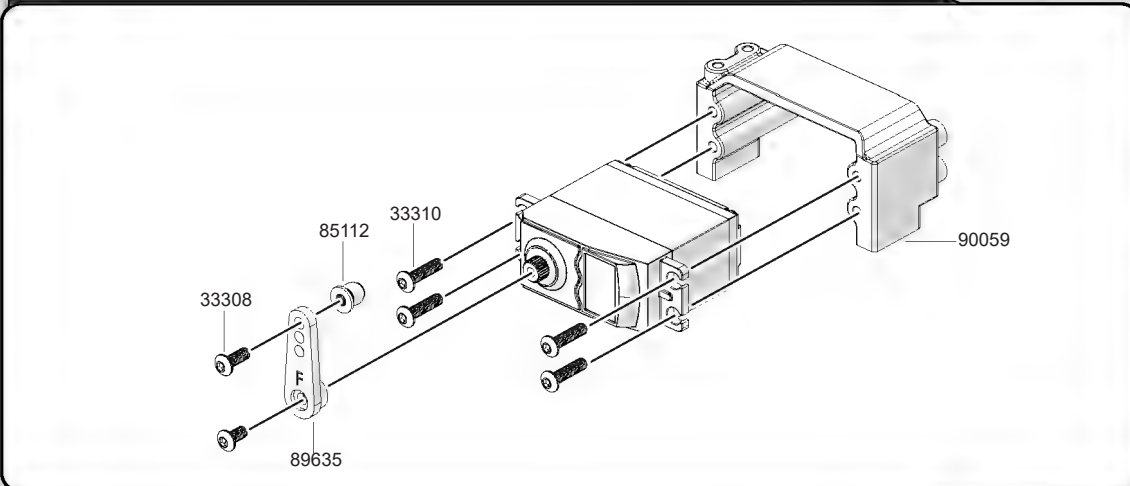


33

Steering Servo Assembly

33308
M3x8 x2
B/H Screw

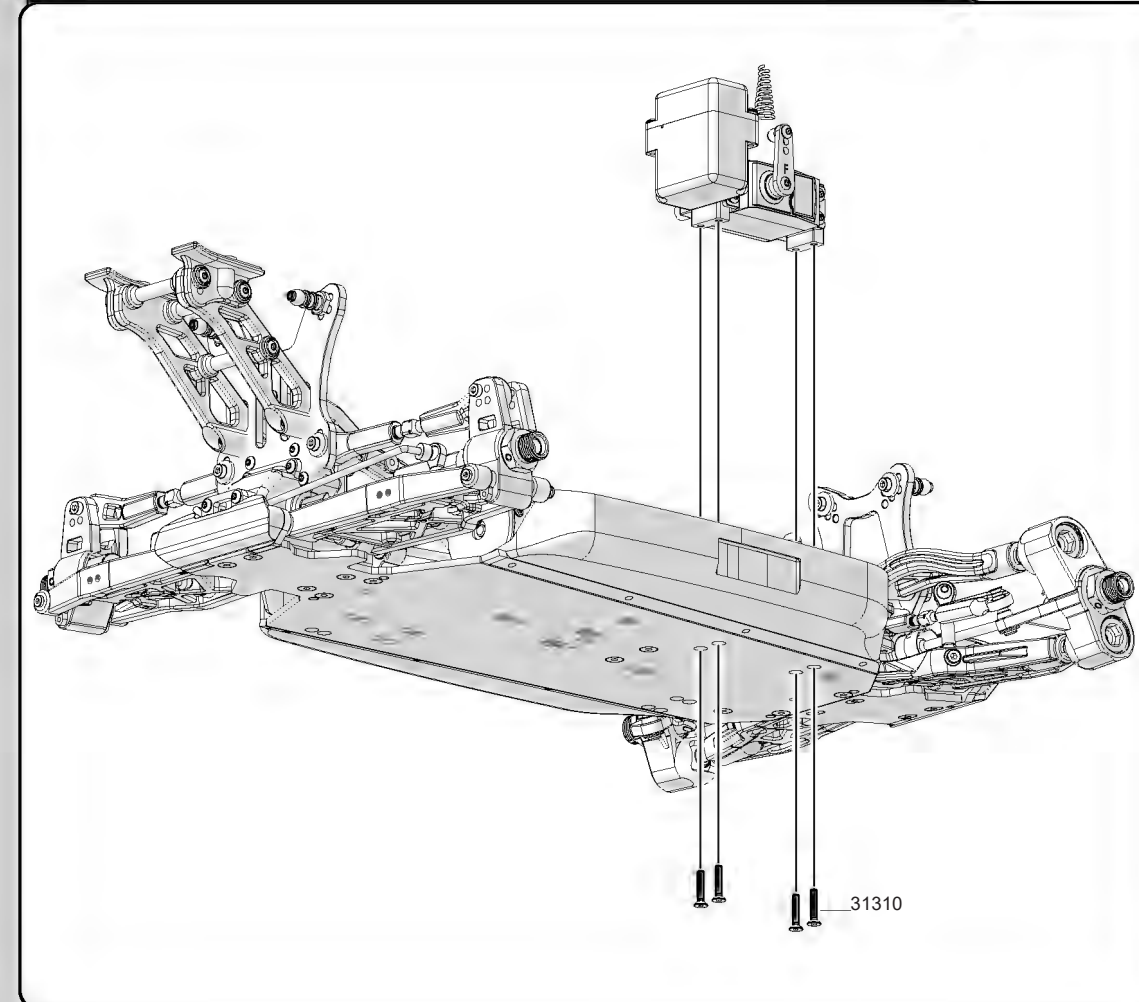
33310
M3x10 x4
B/H Screw



36

Receive Box And Steering Servo Assembly

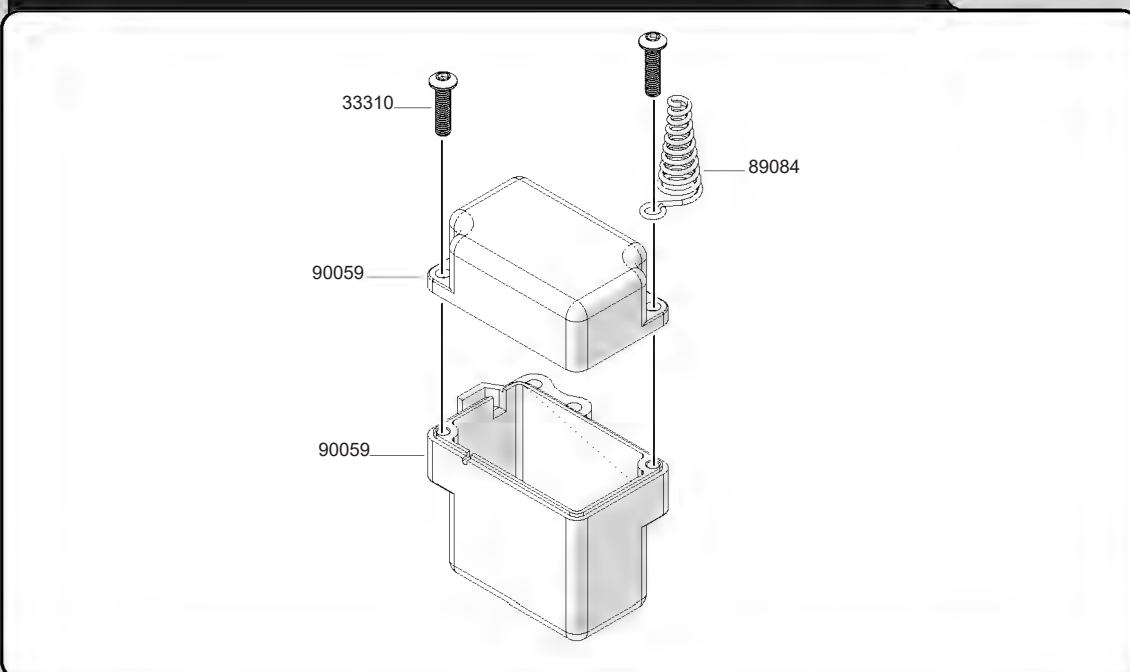
31310
M3x10 x4
F/H Screw



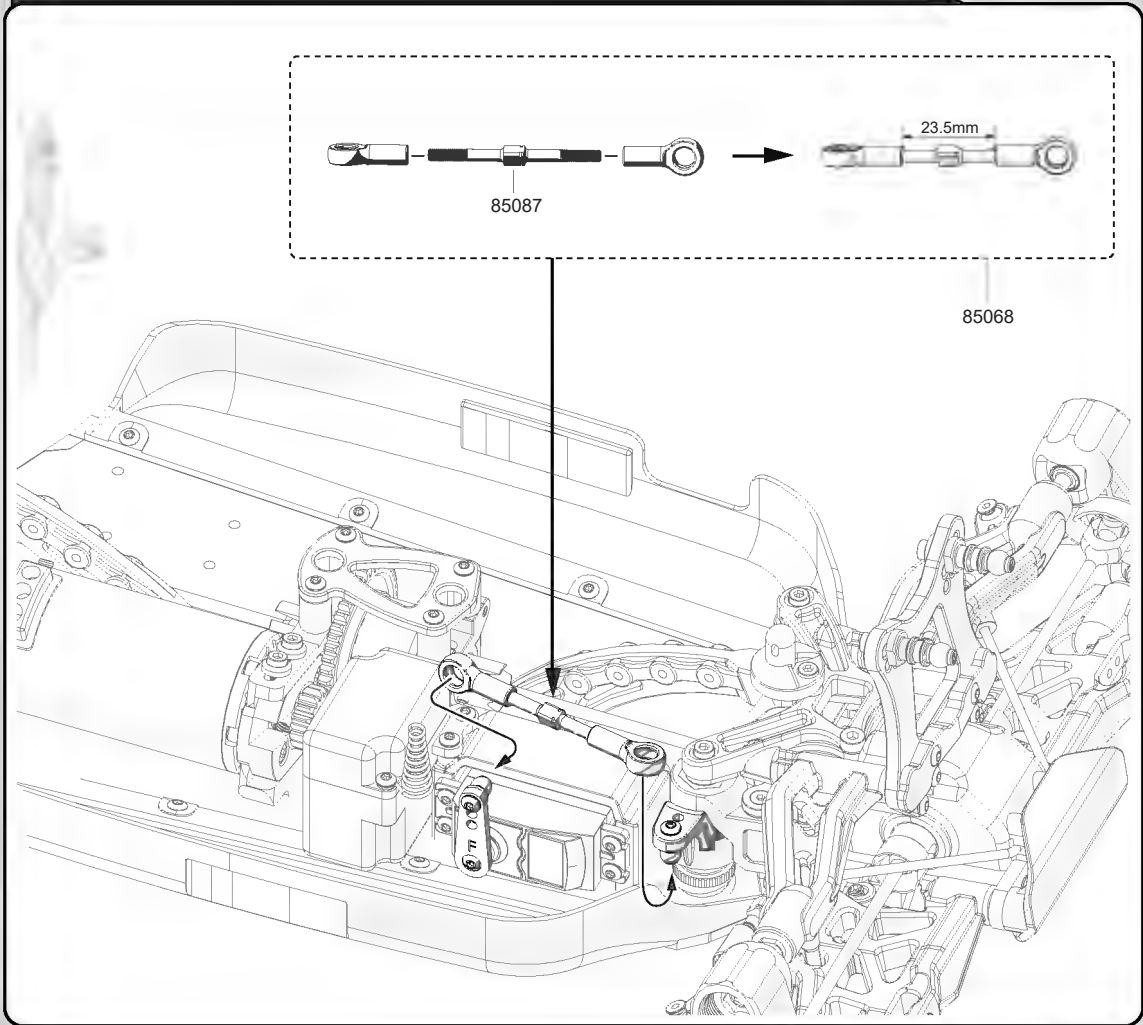
34

Receive Box Assembly

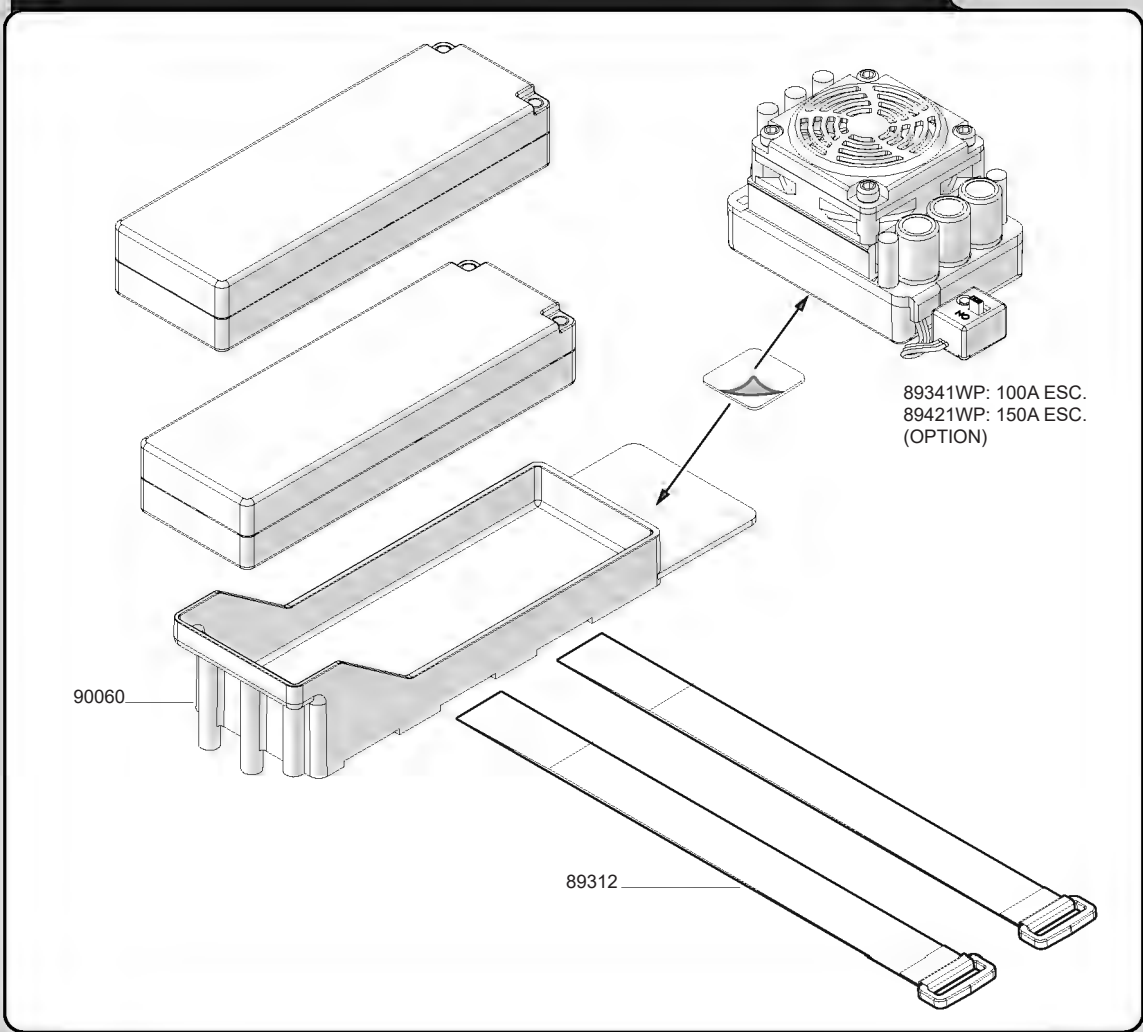
33310
M3x10 x2
B/H Screw



Steering Servo Linkage Assembly



Battery Tray And Electric Speed Controller Assembly



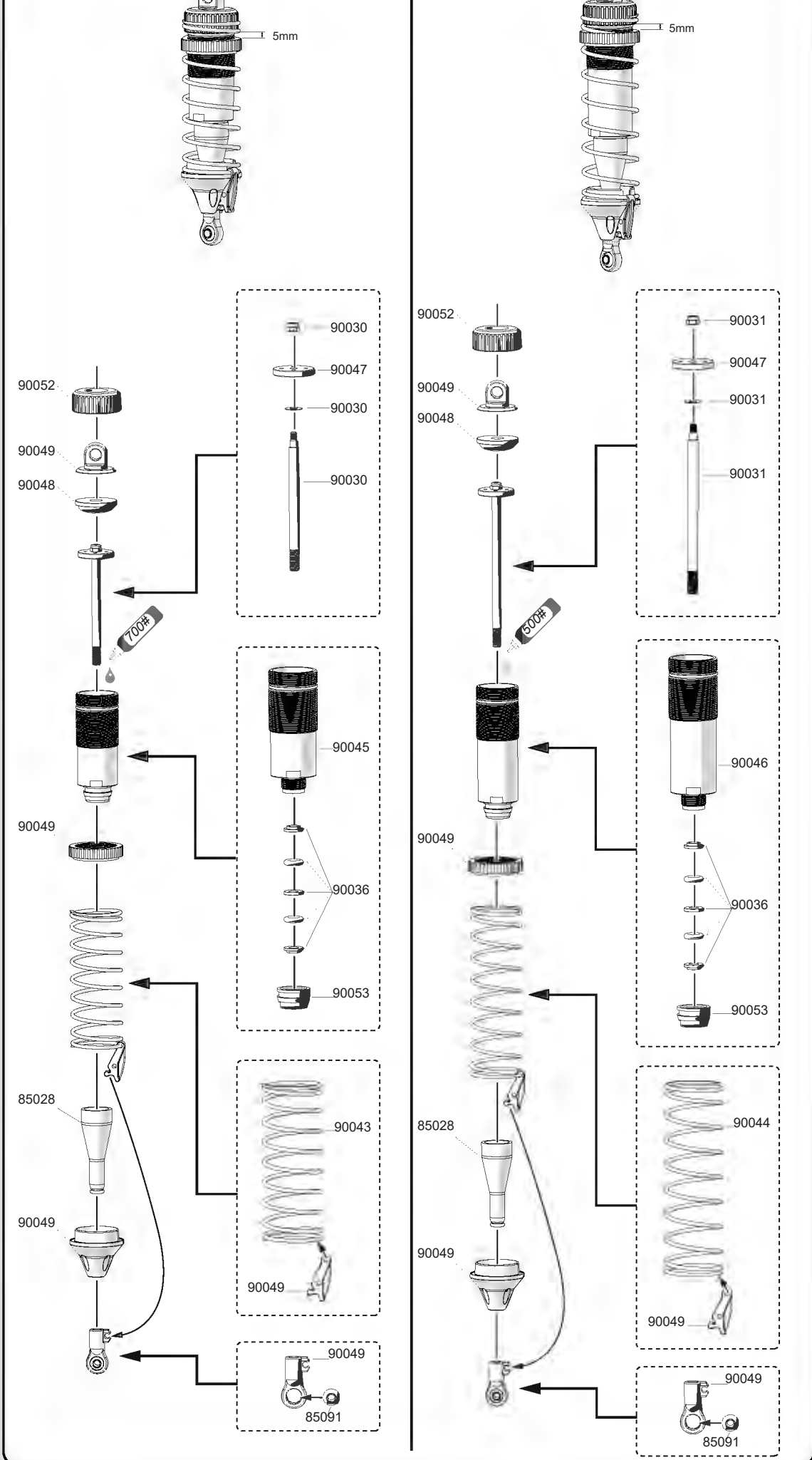
- 90030
M2.6 Nut x4
- 90030
3.1x7x0.25mm x4
Washer
- 90036
O-Ring Shield
- 90036
4x8mm x8
O-Ring
- 90036
4.05x7.98x1.2mm x4
Washer
- 30004
6.8mm x4
Ball
- 90047
3x17x2.4mm

Front / Rear Shock Absorber Assembly

Front Shock Set No. 90055



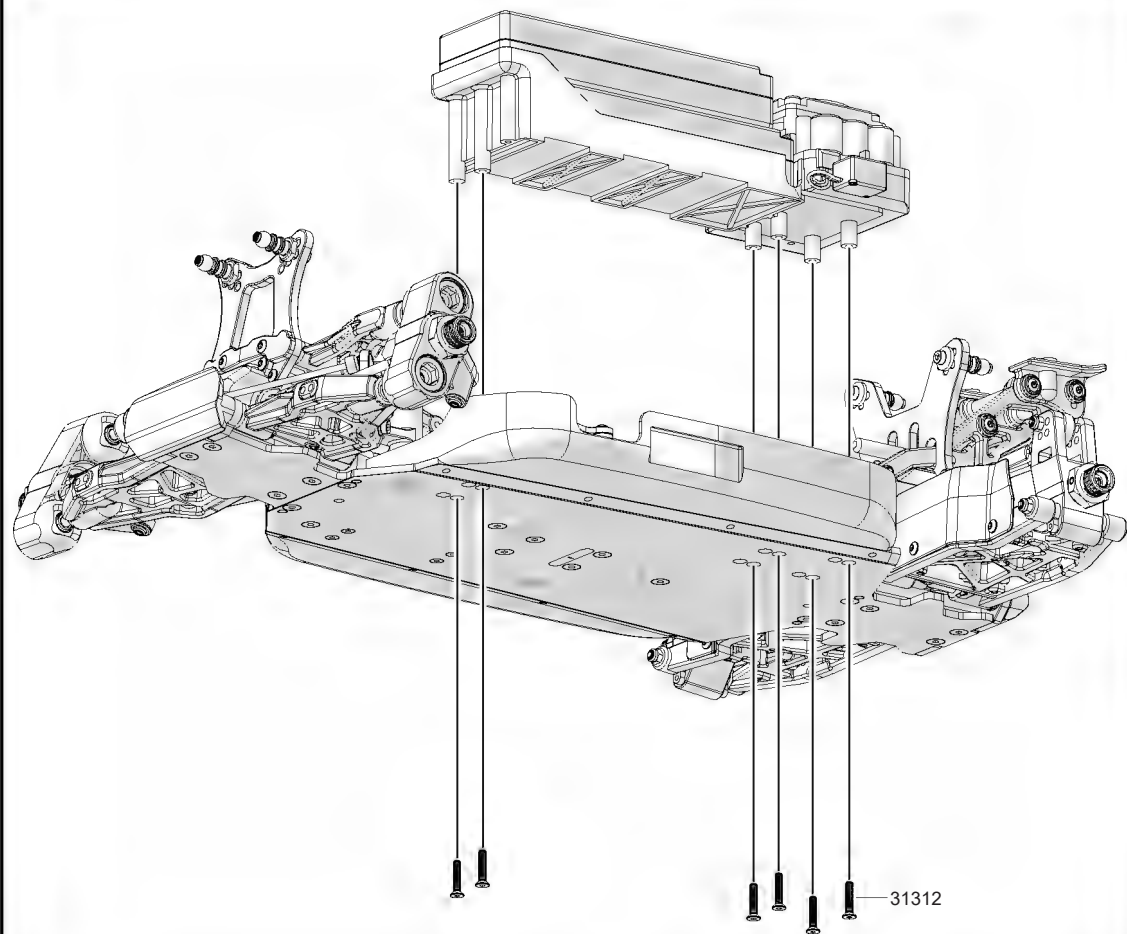
Rear Shock Set No. 90056



40

Battery Box And Electric Speed Controller Assembly

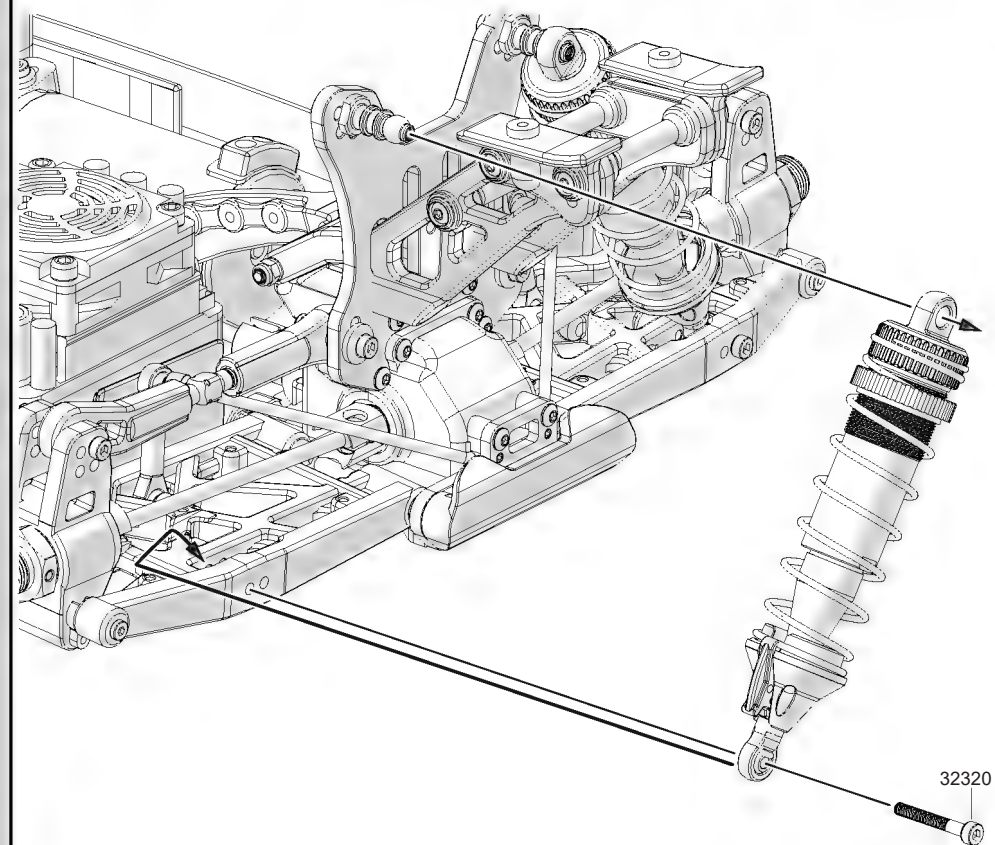
31312
M3x12 x6
F/H Screw



42

Rear Shock Assembly

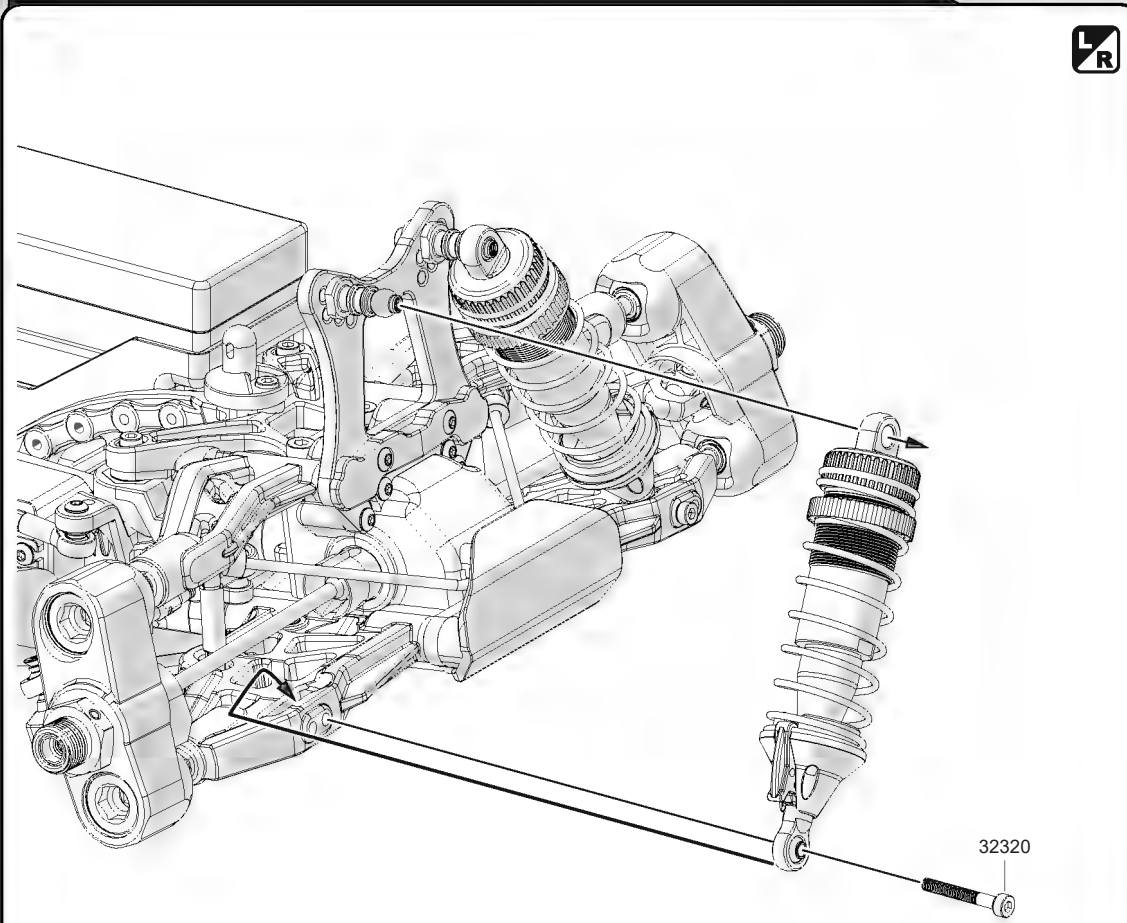
32320
M3x20 x2
Cap Screw



41

Front Shock Assembly

32320
M3x20 x2
Cap Screw

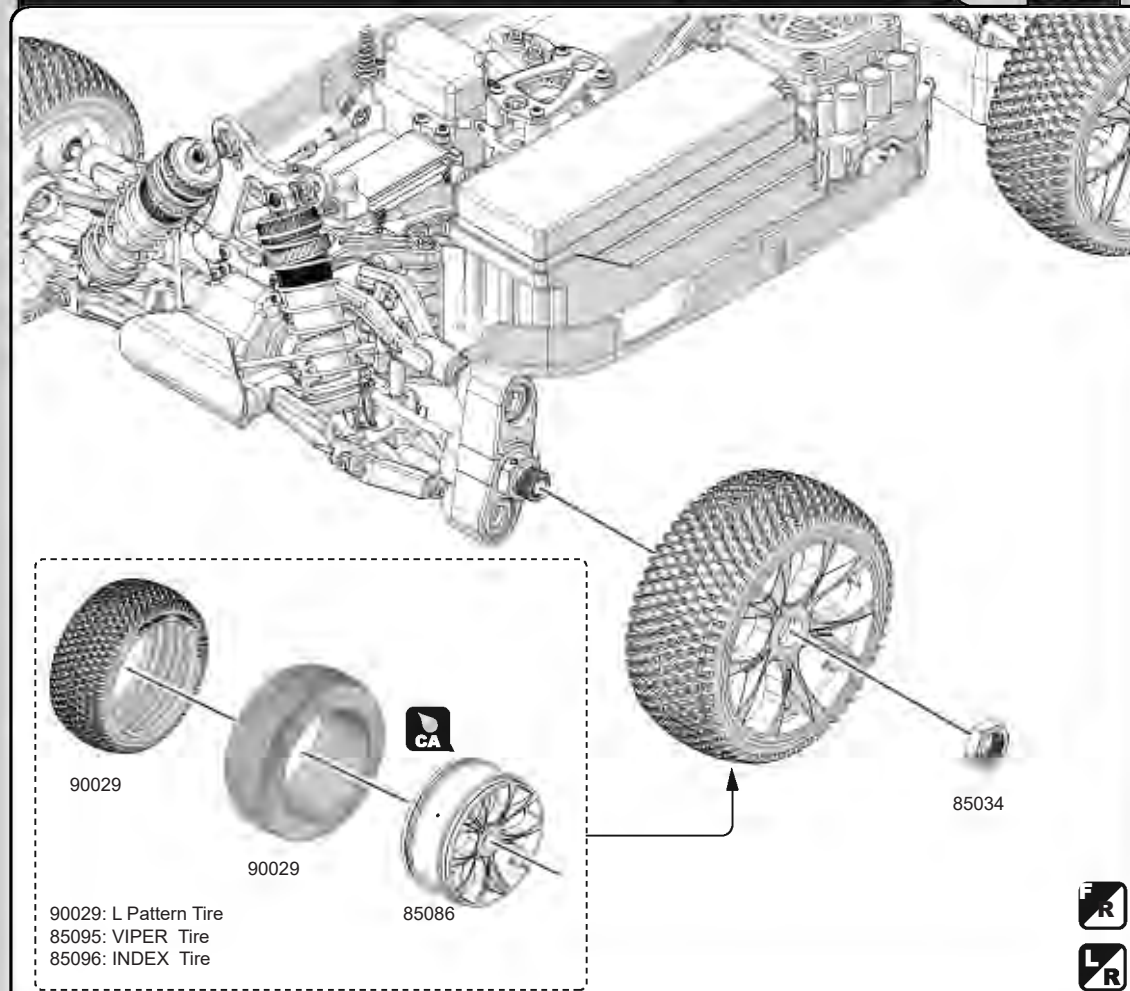


43

Tire Assembly

x4

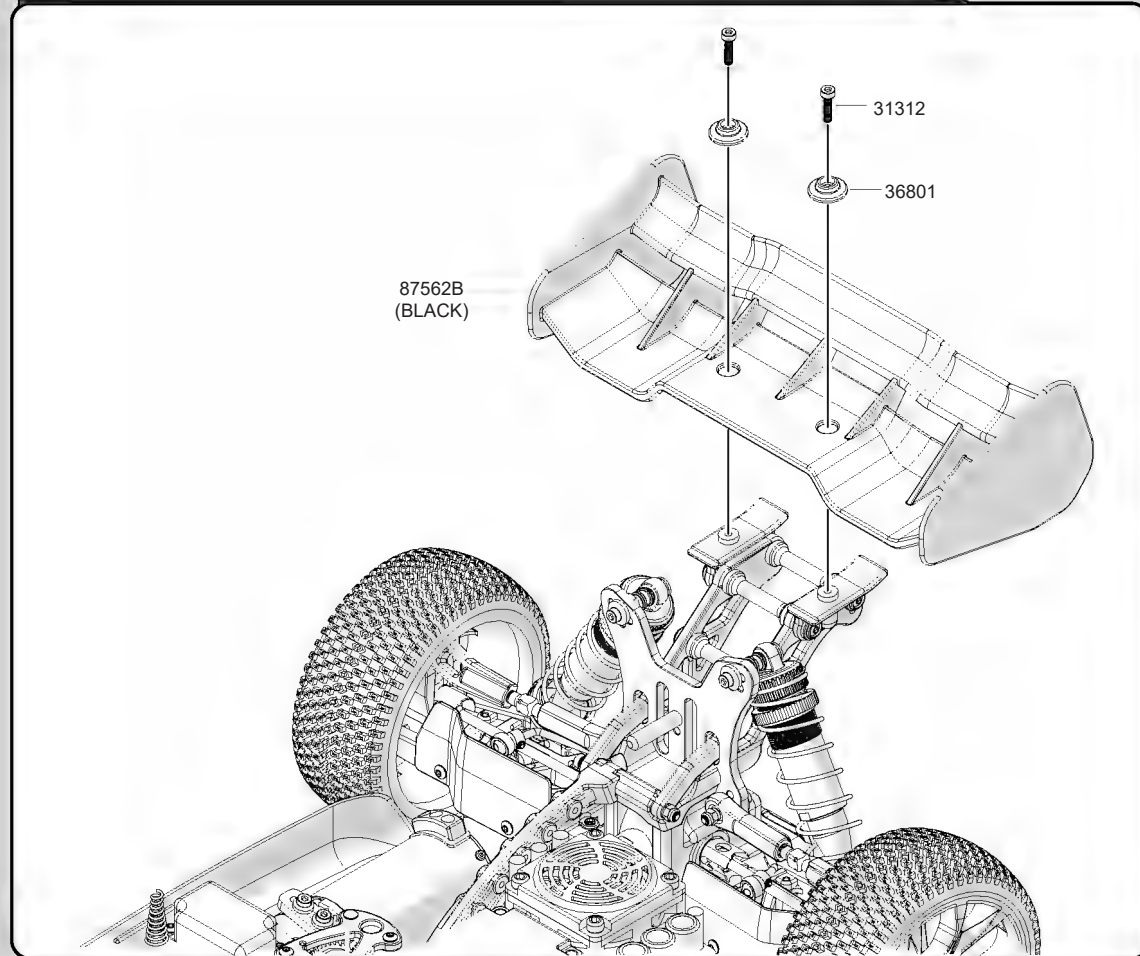
85034
Wheel Hex Nut x4



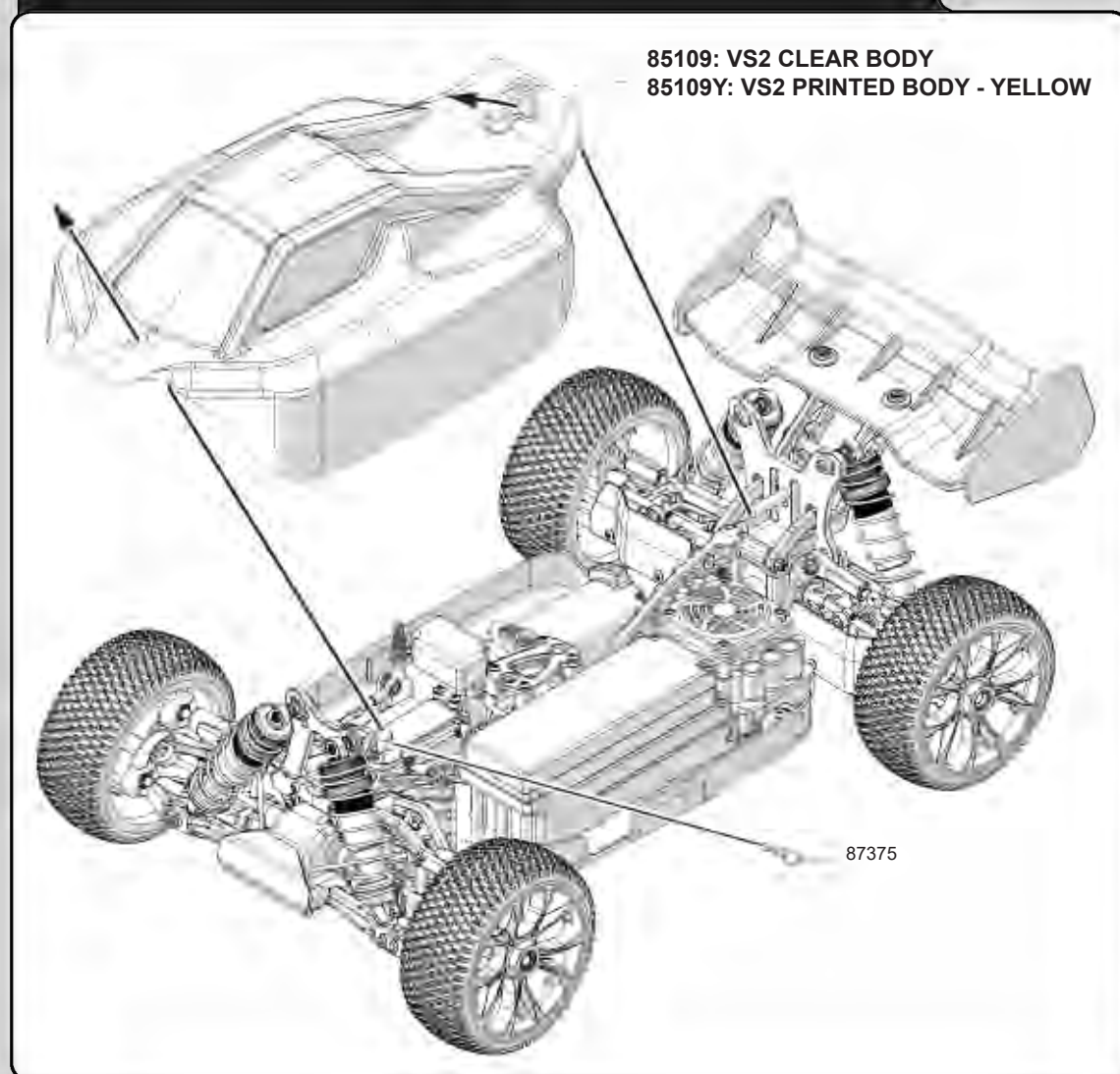
Tire Assembly



32312
M3x12 x2
Cap Screw









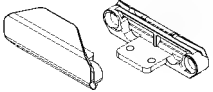
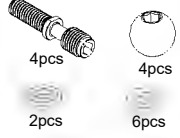



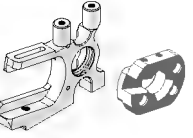
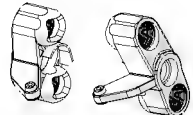
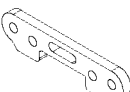



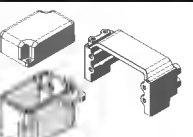

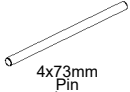
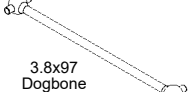

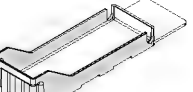

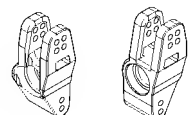
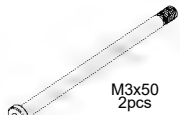


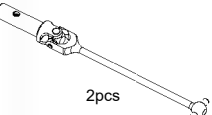
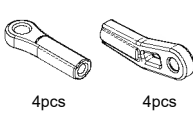
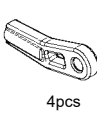


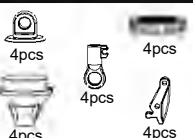



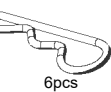
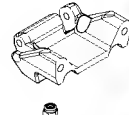


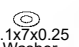
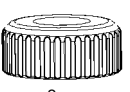
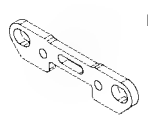
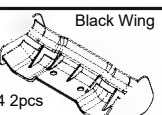


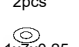

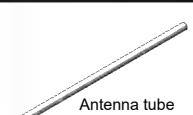
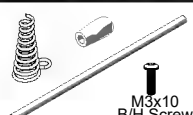





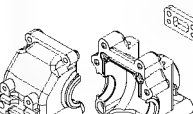
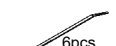
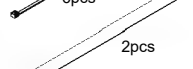


Body And Wing Assembly

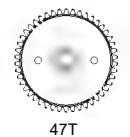


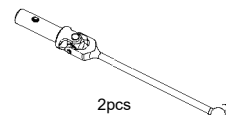




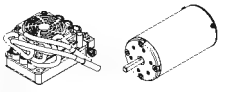

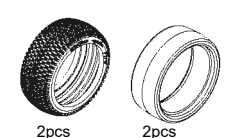
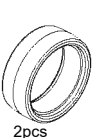

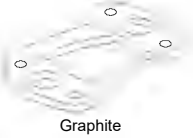

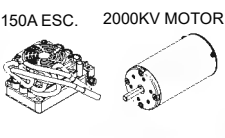
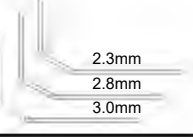
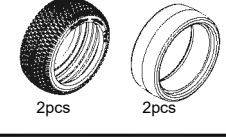

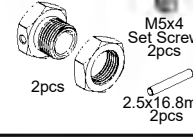
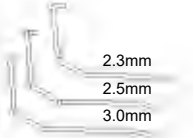
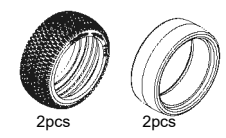

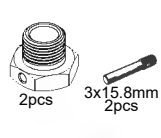


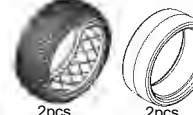



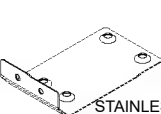



HYPER VS2

Electric PARTS LIST

36001 2.5x13.8mm Pin 4pcs	85022 2pcs	85071 2pcs	85087 3x43mm Alum 7075 2pcs	85099 CNC Alum	85116 2pcs
36101 5.8x1.9mm O-ring 10pcs	85026 2pcs	85072 CNC Alum	85088 4x40mm Alum 7075 2pcs	85102 2pcs	85117 2pcs
36801 4pcs	85028 2pcs	85078 2pcs	85089 5x50mm Alum 7075 2pcs	85109 Clear Body	87005-2 6.1x13.9x0.15 Washer 6pcs
84076 8x16x5mm 4pcs	85031 2pcs	85079 2pcs	85090 6.8mm Alum 7075 4pcs	85109Y Yellow Body	87006 2pcs
84078 6x10x3mm 4pcs	85034 2pcs	85080 CNC Alum	85091 6.8mm Alum 7075 4pcs	85110 5.8x1.9x2mm O-ring 2pcs	87021 M4x4 Set Screw 2pcs
85002 Rear 2pcs	85066 2pcs	85081 CNC Alum	85092 6.8mm Alum 7075 4pcs	85111 M3x15 4pcs	87027-1 2.5x16.8mm Pin 4pcs
85004 2pcs	85067 2pcs	85082 2pcs	85093 6.8mm Alum 7075 4pcs	85112 5.8mm Alum 7075 4pcs	87028 2pcs
85009 2pcs	85068 3x43mm Alum 7075 2pcs	85083 Rear Body Post	85094 7.8mm Alum 7075 4pcs	85113 2pcs	87037 2pcs
85011 4x43.5mm Pin 2pcs	85069 2pcs	85084 3.8x97 Dogbone	85095 VIPER Tire 2pcs	85114 CNC Alum 2pcs	87044S 4pcs
85018 2pcs	85070 2pcs	85086 3.8x110 Dogbone 2pcs	85096 INDEX Tire 2pcs	85115 2pcs	87046 6pcs

87048  2pcs	88002  M4x47 Screw 4pcs	89326  16T	90044  2pcs	90056  2pcs	
87050  4pcs	88003 	89604  4pcs  2pcs  6pcs	90045  2pcs	90057 	
87206 	88004 	89635  M3x8  CNC ALUM	90046  2pcs	90059 	
87208  8pcs	88013  4x73mm Pin 4pcs	90010  3.8x97 Dogbone 2pcs	90047  4pcs	90060 	
87209  4pcs	88029 	90028  M3x50 2pcs	90048  4pcs	OP-0114  FR CNC ALUM	
87354  2pcs	88030  4pcs  4pcs	90029  L Pattern Tire 2pcs  2pcs	90049  4pcs  4pcs  4pcs	OP-0115  RF CNC ALUM	
87375  6pcs	88034  M3 Nut  M3x50 Screw	90030  M2.5 Nut 2pcs  3.1x7x0.25 Washer 2pcs	90052  2pcs	OP-0116  RR CNC ALUM	
87562B  Black Wing M3x14 2pcs Washer 2pcs	88039  4pcs	90031  M2.5 Nut 2pcs  3.1x7x0.25 Washer 2pcs	90053  2pcs		
87613  Antenna tube	89084  M3x10 B/H Screw 1pcs	90036  4x2mm O-ring 10pcs  5pcs  5pcs	90054  2pcs  2pcs		
88001 	89312  6pcs  2pcs	90043  2pcs	90055  2pcs		

OPTIONAL PARTS					
		OP-0007  47T	87562  White Wing M3x14 2pcs Washer 2pcs	89327  16T	
		OP-0009  2pcs	88036  3pcs	89328  13T	
		OP-0045  Front 2pcs	89147  CNC ALUM	89340WP  100A ESC. 2000KV MOTOR	
		OP-0046  Rear 2pcs	89154  2pcs  2pcs	89341WP  100A ESC.	
		OP-0107  Graphite	89170B/Y  2pcs	89420WP  150A ESC. 2000KV MOTOR	
		OP-0110  2.3mm 2.8mm 3.0mm	89171S  2pcs  2pcs	94018  M5x4 Set Screw 2pcs 2.5x16.8mm 2pcs	
		OP-0111  2.3mm 2.5mm 3.0mm	89172S  2pcs  2pcs	94071  3x15.8mm 2pcs	
		OP-0117  CNC ALUM RR 0.5	89311  14T	BT-101  2pcs  2pcs	
		OP-0118  CNC ALUM RR 0.75	89322  2000KV MOTOR		
		OP-0122  STAINLESS	89325  15T		

STANDARD PARTS		85114	CNC ALUM STEERING RACK SET	90053	SHOCK CAP BOTTOM
36001	PIN 2.5x13.8MM	85115	SERVO SAVER POST SET	90054	FRONT/REAR SHOCK ABSORBER SET
36101	O-RING 5.8x1.9MM	85116	FRONT UPPER ARM	90055	FRONT SHOCK ABSORBER SET
36801	ALUM COLLAR 15x4.5MM	85117	FRONT LOWER ARM	90056	REAR SHOCK ABSORBER SET
84076	BEARING 8x16x5MM	87005-2	SPACER 6.1x13.9x0.15MM	90057	MOTOR MOUNT
84078	BEARING 6x10x3MM	87006	CENTER DIFFERENTIAL OUTDRIVE CUP	90059	RECEIVER BOX & SERVO MOUNT
85002	REAR LOWER ARM SET	87021	OUTDRIVE CUP	90060	BATTERY TRAY
85004	FRONT/REAR CHASSIS BRACES SET	87027-1	PIN 2.5x16.8MM	OP-0114	VS CNC ALUM FRONT LOWER ARM HOLDER - FR
85009	REAR MUD GUARDS	87028	DIFFERENTIAL PINION GEAR 13T	OP-0115	VS CNC ALUM REAR LOWER ARM HOLDER - RF
85011	PIN 4x43.5MM	87037	AXLE CUP	OP-0116	VS CNC REAR LOWER SUSPENSION ARMS HOLDER
85018	CENTER DIFFERENTIAL TOP PLATE	87044S	ALUM COLLAR 3x10MM		
85022	STEERING KNUCKLE ARM	87046	WING MOUNT SET		
85026	ADJUSTABLE ARM INSERT	87048	CENTER DIFFERENTIAL MOUNT		
85028	SHOCK BOOTS	87050	CENTER DIFFERENTIAL MOUNT POST		
85031	FRONT UPPER ARM HOLDER	87206	PIVOT BALL FRONT STEERING HUBS		
85034	WHEEL HUB SET 1.0MM	87208	PIVOT BALL PLASTIC BALL WASHERS/SPACERS		
85066	NEW BEVEL GEAR SET	87209	PIVOT BALL NUTS		
85067	LIGHTWEIGHT DIFFERENTIAL OUTDRIVE CUP	87354	FRONT UNIVERSAL JOINT DRIVESHAFTS		
85068	ALUM 7075 SERVO LINKAGE SET FOR STEERING	87375	BODY CLIPS		
85069	FRONT SWAY BAR SET	87562B	REAR WING - BLACK		
85070	REAR SWAY BAR SET	87613	ANTIENNA TUBE, 6 PCS		
85071	FRONT UPPER ARM HOLDER PLATE (PLASTIC)	88001	GEAR BOX		
85072	CNC ALUM FRONT SERVO SAVER TOP PLATE	88002	HEX SCREW 4x47MM		
85078	ADJUSTABLE ARM RETAINER CLIP	88003	BUMPER SET		
85079	HYPER VS2 SIDE GUARD SET	88004	FRONT LOWER ARMS HOLDER		
85080	CNC ALUM FRONT SHOCK TOWER	88013	ARM SHAFT 4x73MM		
85081	CNC ALUM REAR SHOCK TOWER	88029	REAR HUB SET		
85082	WASHER FOR SERVO SAVER	88030	REAR UPPER ARM PLASTIC ROD END		
85083	CNC ALUM REAR BODY SHELL POST	88034	REAR WING MOUNT		
85084	CENTER DRIVESHAFT SET	88039	STABILIZER BALL		
85086	NEW 10 SPOKES WHEEL	89084	ANTENNA PIPE AND MOUNT SET		
85087	ALUM 7075 TURNBUCKLE 3X43MM	89312	MAGIC STRIP		
85088	ALUM 7075 TURNBUCKLE 4X40MM	89326	1/8 MOTOR GEAR - 16T		
85089	ALUM 7075 TURNBUCKLE 5X50MM	89604	STEERING PIVOT BALL SET		
85090	ALUM 7075 SHOCK BALLS - 6.8MM	89635	FUTABA SERVO HORN (25T)		
85091	ALUM 7075 BALLS - 6.8MM	90010	REAR AXLE, 2 PCS		
85092	ALUM 7075 FLANGED BALLS - 6.8MM	90028	SCREW 3x50MM		
85093	ALUM 7075 FLANGED BALLS - 6.8MM	90029	TIRE WITH INSERT		
85094	ALUM 7075 FLANGED BALLS - 7.8MM	90030	FRONT SHOCK SHAFT		
85095	HOBABO STANDARD VIPER TIRES WITH INSERT	90031	REAR SHOCK SHAFT		
85096	HOBABO STANDARD INDEX TIRES WITH INSERT	90036	SHOCK ABSORBER REPAIR SET		
85099	HYPER VS2 CNC ALUM CHASSIS - ELECTRIC	90043	FRONT SHOCK SPRING		
85102	SUPR GEAR 48T	90044	REAR SHOCK SPRING		
85109	HYPER VS2 CLEAR BODY	90045	FRONT SHOCK BODY		
85109Y	HYPER VS2 PRINTED BODY - YELLOW	90046	REAR SHOCK BODY		
85110	NEW DIFFERENTIAL CASE SET	90047	SHOCK PISTON		
85111	NEW CROWN GEAR 43T FOR # 85110	90048	SHOCK BLADDER		
85112	ALUM 7075 FLANGED BALLS - 5.8MM	90049	SHOCK NYLON SET		
85113	NEW SERVO SAVER ARM	90052	SHOCK CAP TOP		

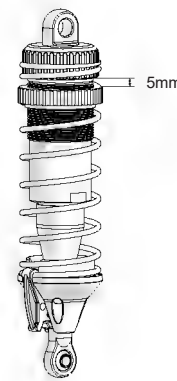
SCREW		OPTIONAL PARTS	
31310	M3x10 FLAT HEAD SCREW	OP-0007	CENTER SPUR GEAR 47T
31317	M3x17 FLAT HEAD SCREW	OP-0009	REAR UNIVERSAL DRIVE SHAFT
31318	M3x18 FLAT HEAD SCREW	OP-0045	FRONT SHOCK SPRING-ORANGE
31320	M3x20 FLAT HEAD SCREW	OP-0046	REAR SHOCK SPRING-ORANGE
31408	M4x8 FLAT HEAD SCREW	OP-0107	VS GRAPHITE CENTER DIFFERENTIAL TOP PLATE - 2.5MM
31410	M4x10 FLAT HEAD SCREW	OP-0110	VS FRONT SWAY BARS SET- 2.3MM, 2.8MM & 3MM
31416	M4x16 FLAT HEAD SCREW	OP-0111	VS REAR SWAY BARS SET - 2.3MM, 2.5MM & 3MM
32308	M3x8 CAP HEAD SCREW	OP-0117	VS CNC ALUM REAR LOWER ARM HOLDER 0.5 DEG. - RR.
32310	M3x10 CAP HEAD SCREW	OP-0118	VS CNC ALUM REAR LOWER ARM HOLDER 0.75 DEG. - RR.
32312	M3x12 CAP HEAD SCREW	OP-0122	VS STAINLESS SKID PLATE
32314	M3x14 CAP HEAD SCREW	87562	REAR WING - WHITE
32320	M3x20 CAP HEAD SCREW	88036	CNC ALUM WING MOUNT POST
32325	M3x25 CAP HEAD SCREW	89147	CNC ALUM REAR WHEEL HUB
33210	M2x10 BUTTON HEAD SCREW	89154	HIGH PERFORMANCE TIRES WITH HIGH INSERT
33306	M3x6 BUTTON HEAD SCREW	89170B/Y	REVO WHEEL - BLACK / YELLOW
33308	M3x8 BUTTON HEAD SCREW	89171S	HOBABO PRO VIPER TIRES - SOFT, W/O INSERT
33310	M3x10 BUTTON HEAD SCREW	89172S	HOBABO PRO INDEX TIRES - SOFT, W/O INSERT
33310T	M3x10 BUTTON HEAD TAP SCREW	89311	1/8 MOTOR GEAR 14T
33312	M3x12 BUTTON HEAD SCREW	89322	1/8 BRUSHLESS MOTOR 2000KV
33315	M3x15 BUTTON HEAD SCREW	89325	1/8 MOTOR GEAR 15T
33318	M3x18 BUTTON HEAD SCREW	89327	1/8 MOTOR GEAR 13T
33325	M3x25 BUTTON HEAD SCREW	89328	1/8 MOTOR GEAR 17T
33412	M4x12 BUTTON HEAD SCREW	89340WP	1/8 100A WATER PROOF ESC. & 2000KV MOTOR
33418	M4x18 BUTTON HEAD SCREW	89341WP	1/8 100A WATER PROOF ESC.
33422	M4x22 BUTTON HEAD SCREW	89420WP	1/8 150A WATER PROOF ESC. & 2000KV MOTOR
34316	M3x16 HEX SCREW	89421WP	1/8 150A WATER PROOF ESC.
35208	M2x8 PAN HEAD SCREW	94018	WHEEL HEX HUB & ANTI-LOOSE-NUT
38303	M3x3 SET SCREW	94071	WHEEL HEX HUB 1.0MM
38304	M3x4 SET SCREW	BT-101	1/8 PRO TIRES WITH HIGH INSERT
38308	M3x8 SET SCREW		
38404	M4x4 SET SCREW		
38408	M4x8 SET SCREW		
38504	M5x4 SET SCREW		
39004	M3 NUT		
39008	M3 NYLON NUT		

Name:	Date:
Track:	Event:
Note:	

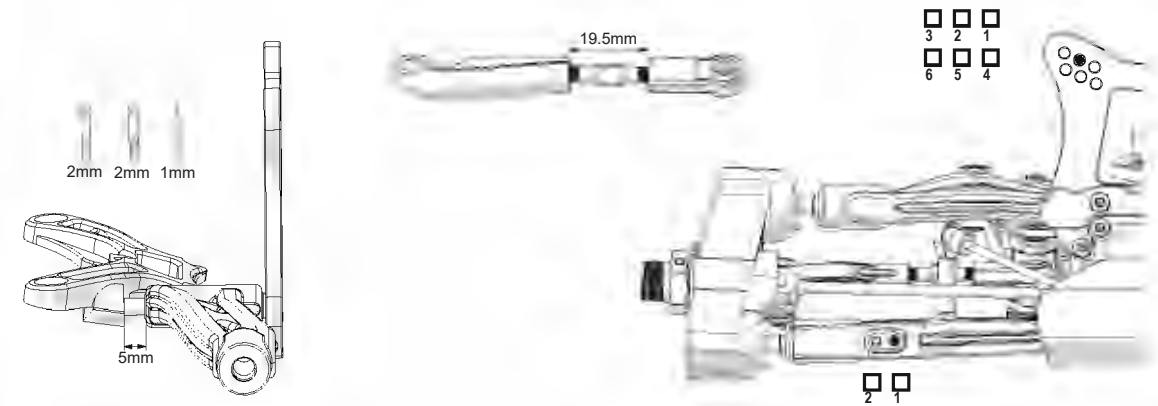
Front Arms



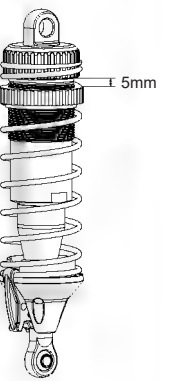
Front Shock



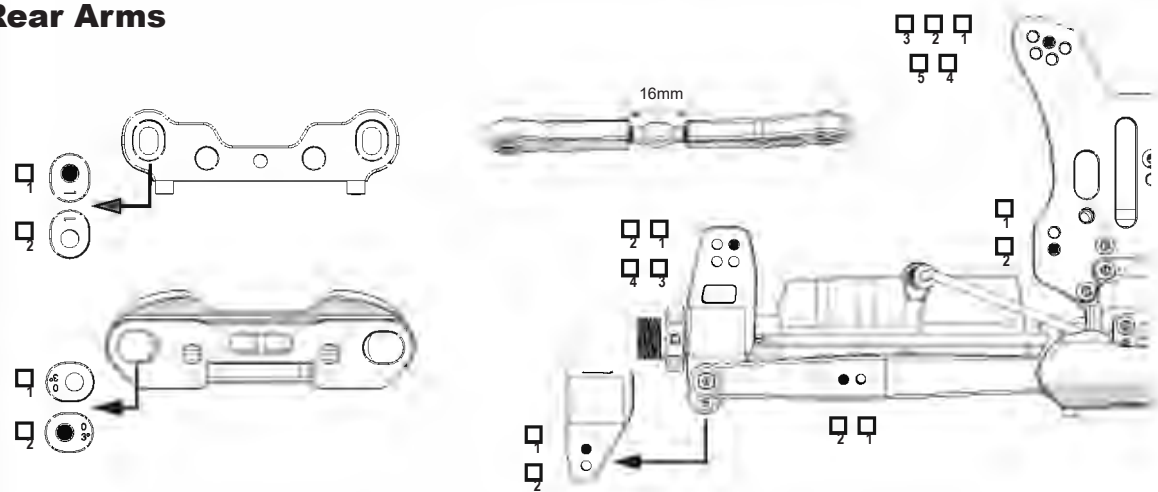
Front Arms



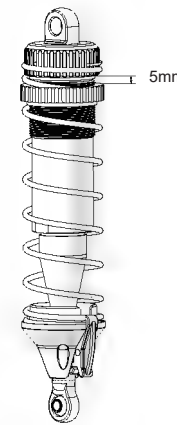
Front Shock



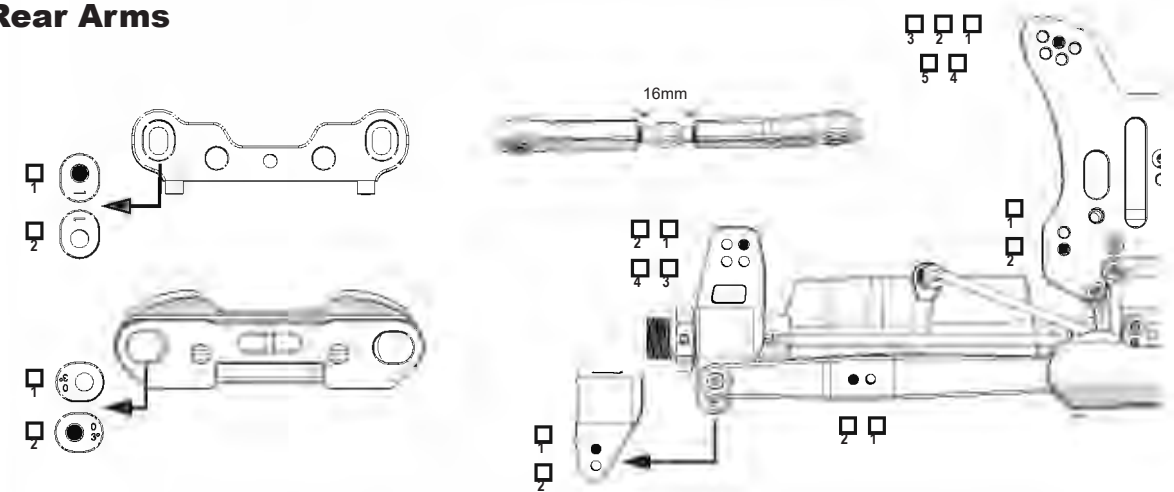
Rear Arms



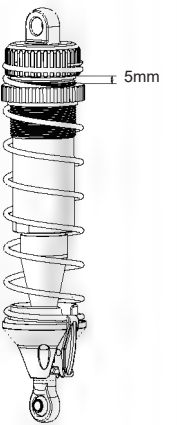
Rear Shock



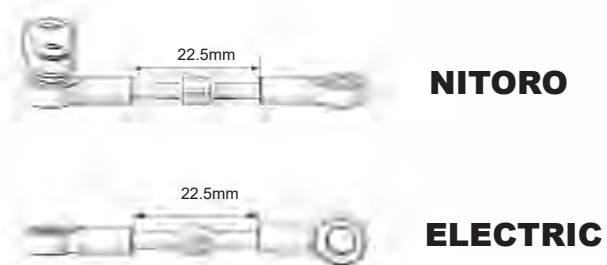
Rear Arms



Rear Shock



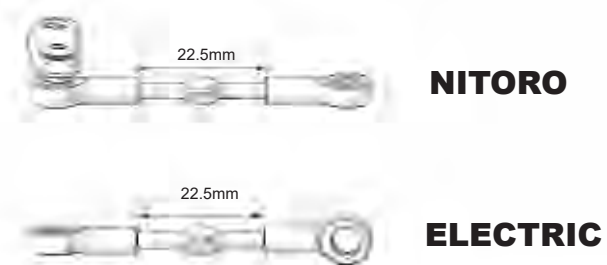
Servo Linkage Set For Steering



Brake Disc



Servo Linkage Set For Steering



Brake Disc

